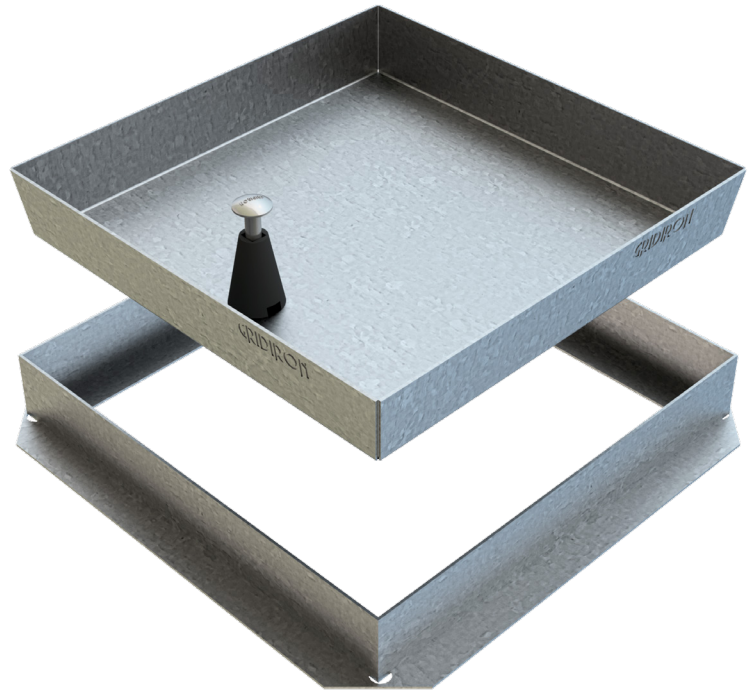
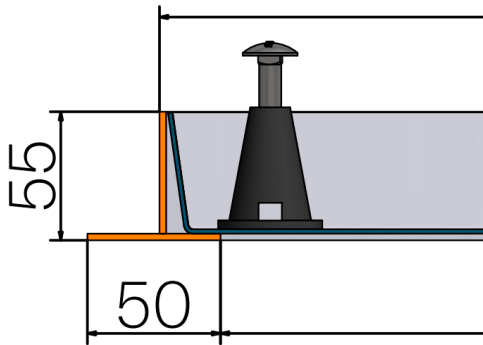


TECHNICAL SHEET

CODE	7272
DESCRIPTION	SUB recessed manhole, in metal sheet th. 20/10, c/w T frame and cap with screw for lifting. Hot-dip galvanized.
PRODUCT LINE	Galvanized manhole covers
MATERIAL	Carbon Steel S235JR acc. to EN 10025-2:2019
SURFACE FINISH	Hot Dip Galvanizing - UNI 1461
LOADING CLASS	To define according to the filling
LIFTING SYSTEM	Tampered plastic cap



Nominal sizes mm	Clear opening measures mm	Recessed cover thickness mm	Frame thickness mm	Weight Kg/each
350 x 350 x H 55	300 x 300	2	2	4,94