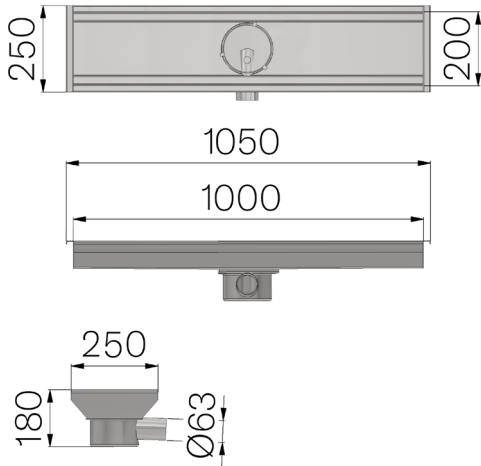


# TECHNICAL SHEET

<b>CODE</b>	6V11ZC
<b>DESCRIPTION</b>	Stainless steel AISI 304 lowered drain channel, dim 250x1050 mm H180, with horizontal central outlet 63 mm dia., with removeable basket, for grid 200mm h30.
<b>MATERIAL</b>	Inox AISI 304 - X5 CrNi 18 10



Article dimensions mm	Grid width mm	Bottom outlet mm	Weight Kg/each
1050 x 250 x H 180	180	63	23,7