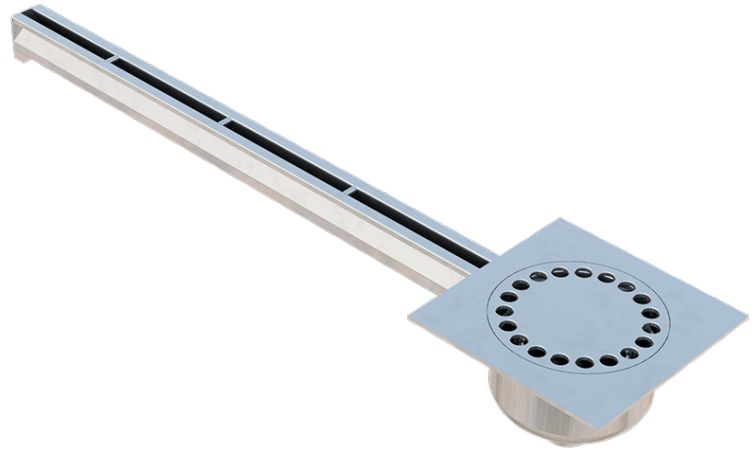
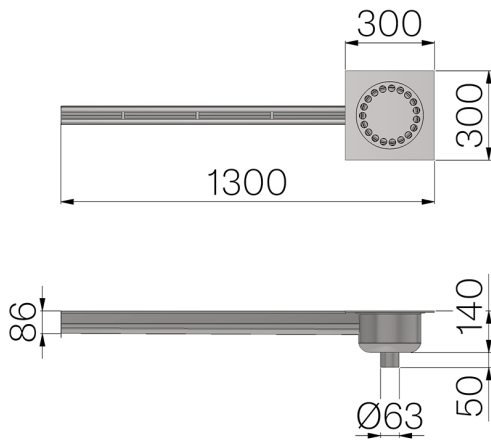


# TECHNICAL SHEET

<b>CODE</b>	6F11VT
<b>DESCRIPTION</b>	Stainless steel AISI 304 fissure drain channel, lenght 1300mm, c/w vertical head lowered outlet drain 300x300 H150, outlet pipe diam.63 mm and removable filter trap with drum.
<b>MATERIAL</b>	Inox AISI 304 - X5 CrNi 18 10
<b>THICKNESS MM</b>	20/10



Article dimensions mm	Sump unit sizes mm	Bottom outlet mm	Weight Kg/each
1300 x 300 x H 140	300	63	18,5