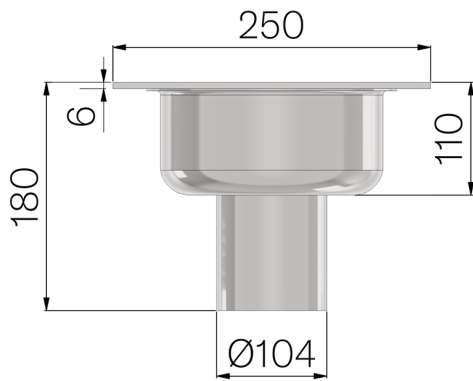


TECHNICAL SHEET

CODE	6914
DESCRIPTION	Floor drain gully in AISI 304 stainless steel, siphoned, dim. 250x250mm, H104mm, th. 6mm, with square drilled plate, vertical outlet (diam.50mm) and removable filter tray after siphon.
MATERIAL	Inox AISI 304 - X5 CrNi 18 10
PLATE THICKNESS	60/10



Article dimensions mm	Height below siphon mm	Bottom outlet mm	Weight Kg/each
250 x 250 x H 180	110	104	4,82