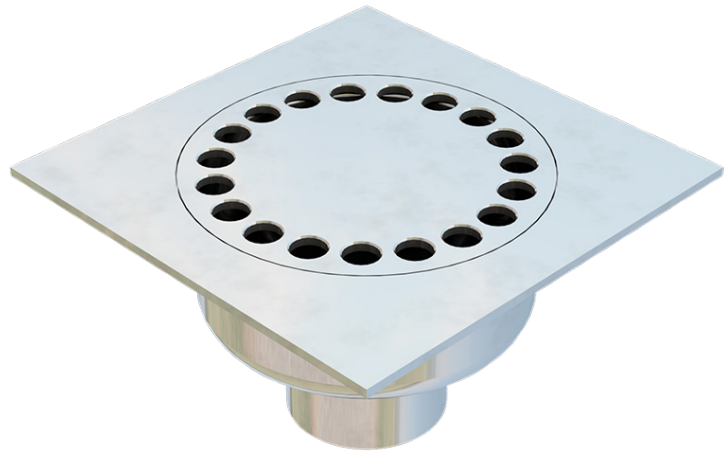
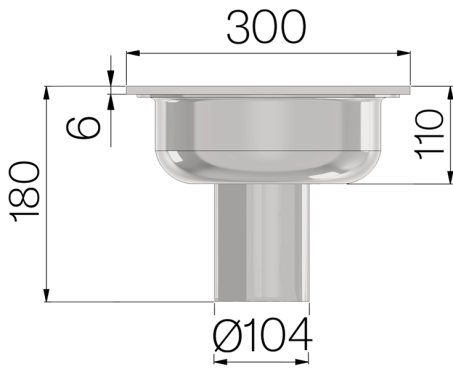


## TECHNICAL SHEET

<b>CODE</b>	6913
<b>DESCRIPTION</b>	Floor drain gully in AISI 304 stainless steel, siphoned, dim. 300x300, th. 6mm, with squared drilled plate, vertical outlet (diam.104) and removable filter tray after siphon.
<b>MATERIAL</b>	Inox AISI 304 - X5 CrNi 18 10
<b>PLATE THICKNESS</b>	60/10



Article dimensions mm	Height below siphon mm	Bottom outlet mm	Weight Kg/each
300x300xH 180	110	104	6,02