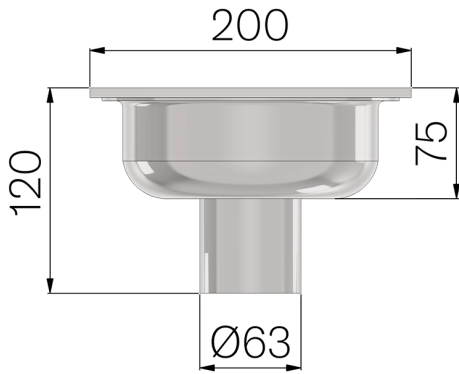


TECHNICAL SHEET

CODE	6911
DESCRIPTION	Floor drain gully in AISI 304 stainless steel, siphoned, dim. 200x200mm, th. 6mm, with vertical outlet dia. 63mm and removable filter bucket after siphon.
MATERIAL	Inox AISI 304 - X5 CrNi 18 10
PLATE THICKNESS	60/10



Article dimensions mm	Height below siphon mm	Bottom outlet mm	Weight Kg/each
200 x 200 x H 120	75	63	2,71