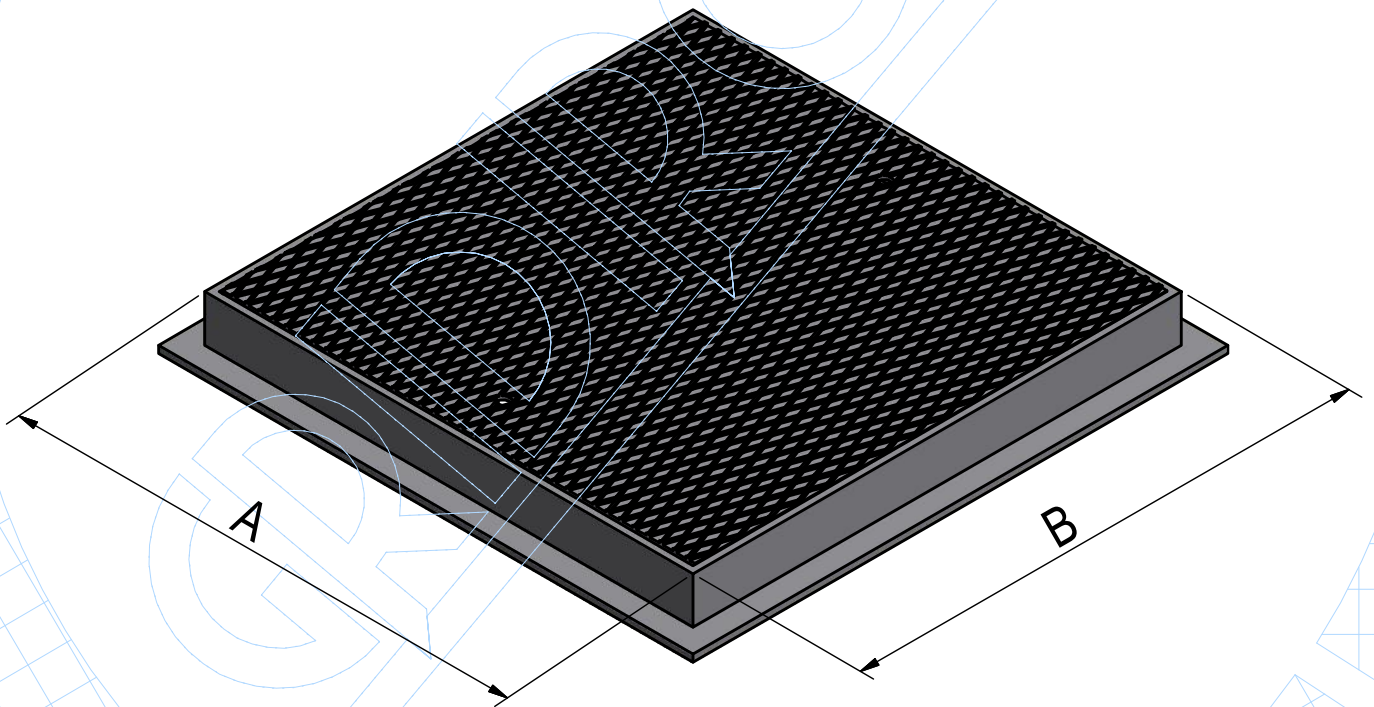
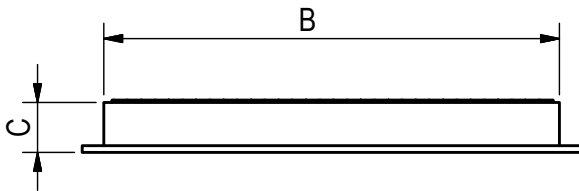


TECHNICAL SHEET



CODE	5601
	E-type 4+2 chequered metal sheet PLATE, hot-dip galvanized, H=60, reinforced by intersecting flat iron elements, inclusive of heavy T-shaped frame.
TYPE	Metal sheet
MATERIAL	S235JR - EN 10025:2005
SURFACE FINISH	Hot dip galvanized - UNI 1461
LOADING CLASS	Class A15
NORM	UNI EN124:1995
COMPONENTS	Lamiera Striata 4+2



A	B	C	D
LENGHT MM	WIDTH MM	HEIGHT MM	WEIGHT KG
500	500	60	26,24