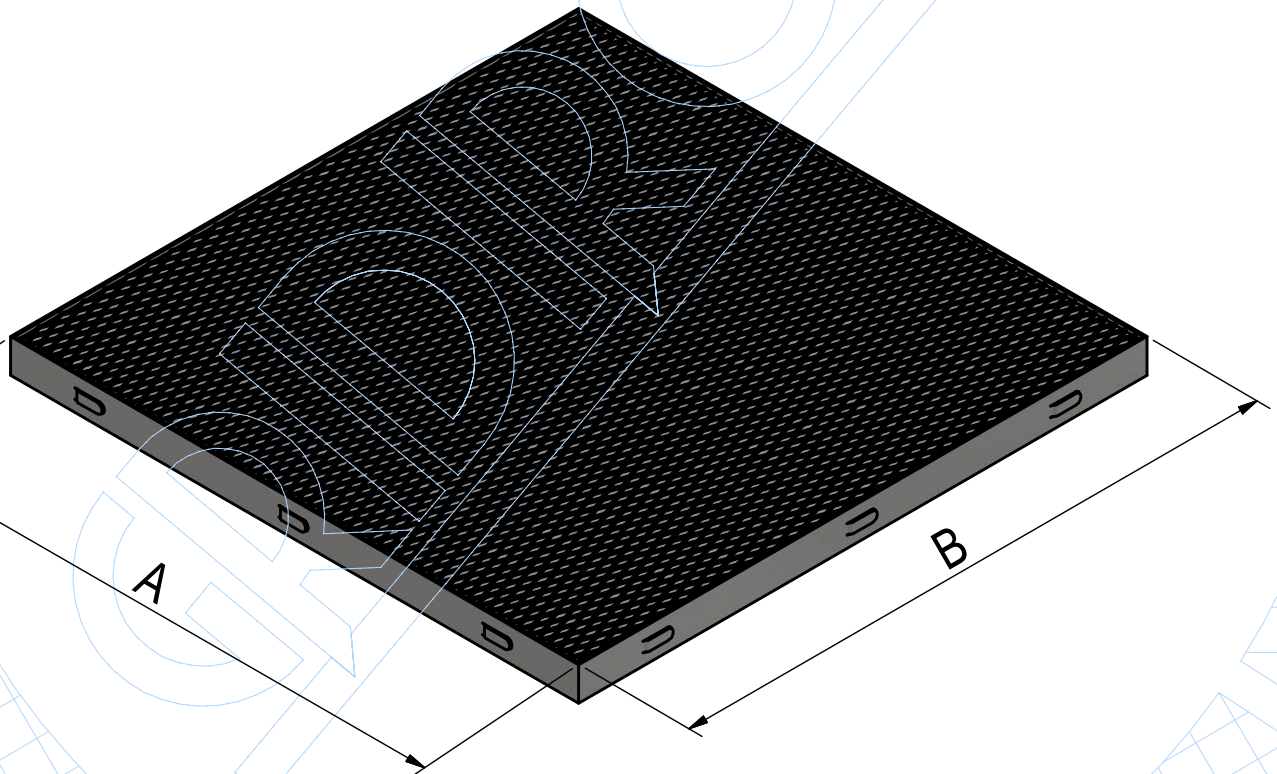
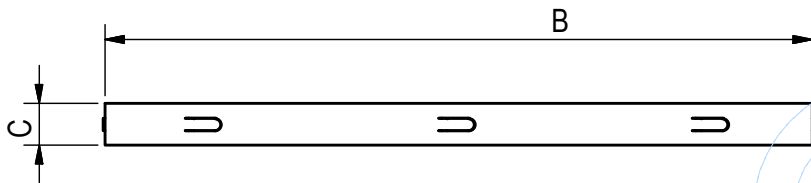


# TECHNICAL SHEET



CODE	5417
	SUPERTRAFFIC model 3+2 chequered metal sheet PLATE, hot-dip galvanized, inclusive of 30/10-thick frame and reinforced by 40x3 grating, size 34x38.
TYPE	Metal sheet
MATERIAL	S235JR - EN 10025:2005
SURFACE FINISH	Hot dip galvanized - UNI 1461
LOADING CLASS	Class A15
NORM	UNI EN124:1995
COMPONENTS	Lam.Striata 3+2 con Grigliato 40x3 34x38



A	B	C	D
LENGHT MM	WIDTH MM	HEIGHT MM	WEIGHT KG
750	750	50	40,6