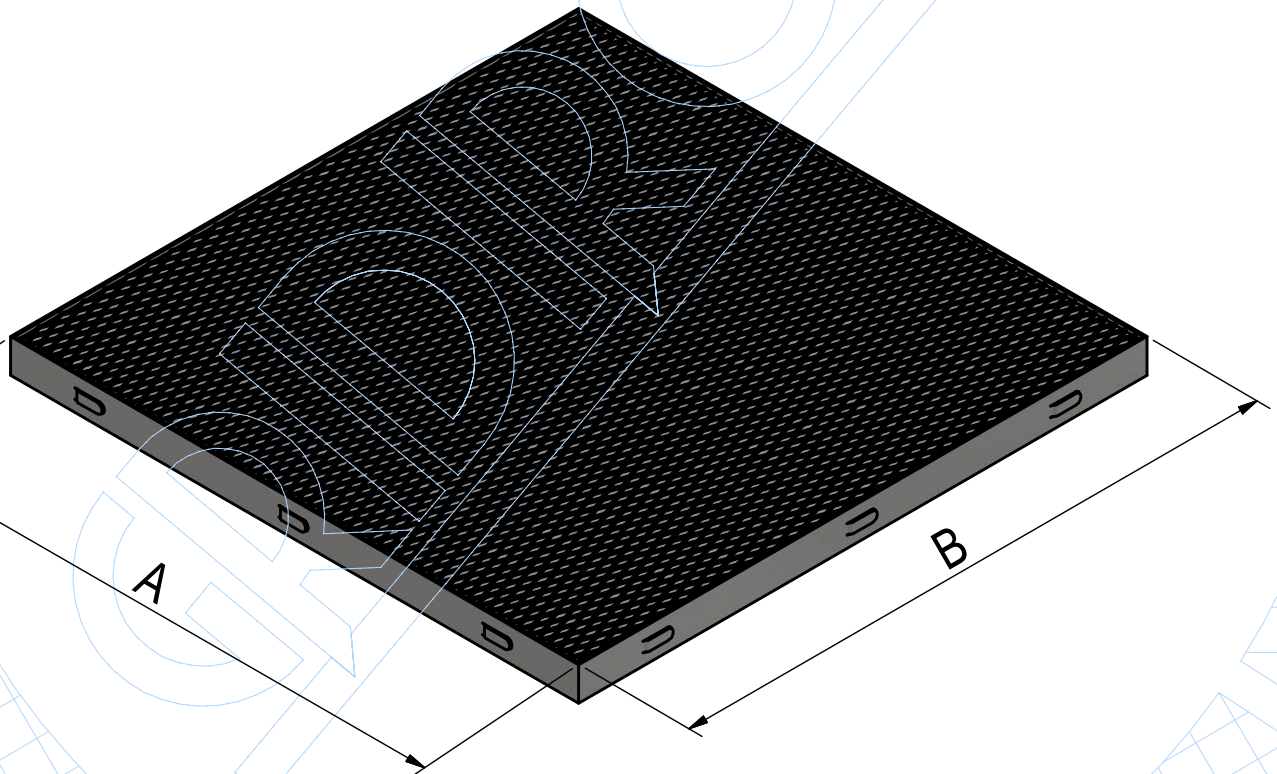
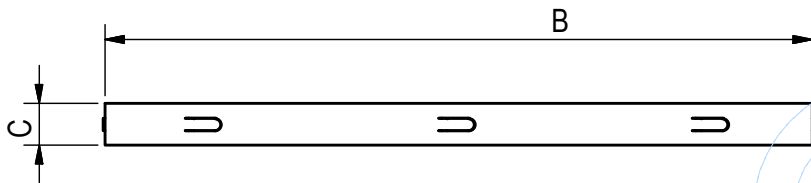


# TECHNICAL SHEET



|                |  |
|----------------|--|
| CODE           | 5416   |
|                | SUPERTRAFFIC model 3+2 chequered metal sheet PLATE, hot-dip galvanized, inclusive of 30/10-thick frame and reinforced by 40x3 grating, size 34x38. |
| TYPE           | Metal sheet  |
| MATERIAL       | S235JR - EN 10025:2005   |
| SURFACE FINISH | Hot dip galvanized - UNI 1461  |
| LOADING CLASS  | Class B125   |
| NORM           | UNI EN124:1995   |
| COMPONENTS     | Lam.Striata 3+2 con Grigliato 40x3 34x38   |



| A         | B        | C         | D         |
|-----------|----------|-----------|-----------|
| LENGHT MM | WIDTH MM | HEIGHT MM | WEIGHT KG |
| 450       | 450      | 50        | 16,1      |