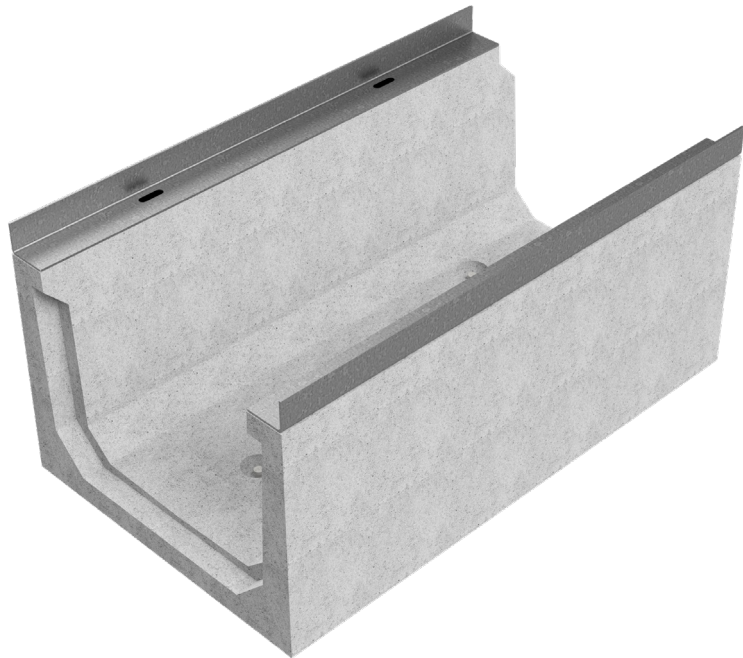
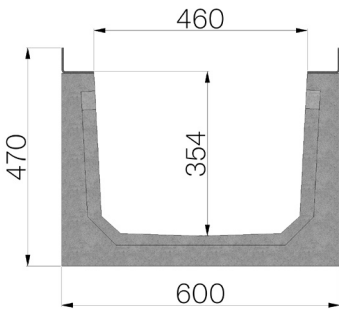


TECHNICAL SHEET



CODE	4X00S
DESCRIPTION	C600 L=1000 reinforced concrete drain channel, with Gridiron's special galvanized edge rails, suitable for grating dim. 586x1000 H50, runoff section sqcm. 1437.
PRODUCT LINE	Drainage channel type "M"
MATERIAL	Reinforced concrete
SERIES TYPE	C series 600
SECTION TYPE	Standard
PROFILE TYPE	Galvanized edge
VERSION TYPE	Normal without built-in slope
LOADING CLASS	D400 - EN 1433:2008



Inner width mm	Runoff section cmq	Weight Kg/each
460	1.437	260