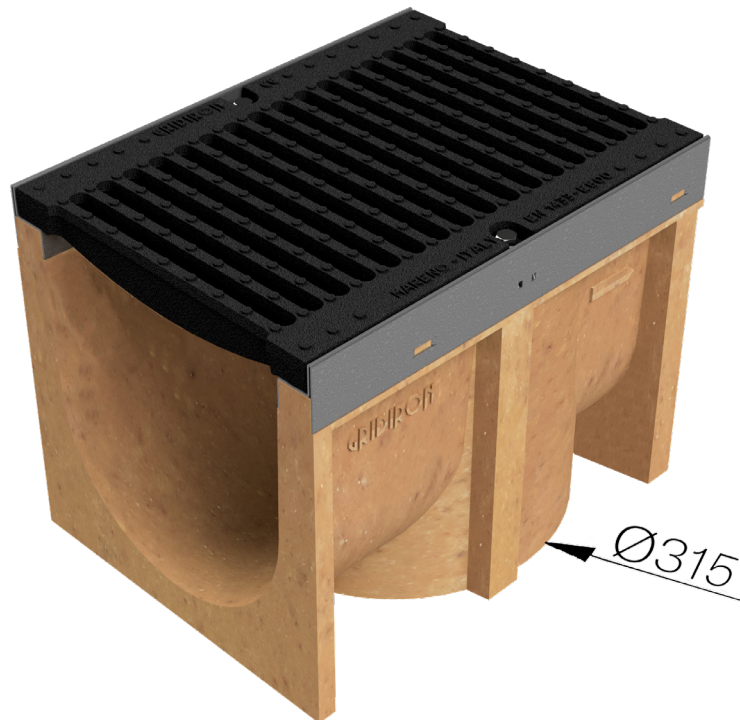
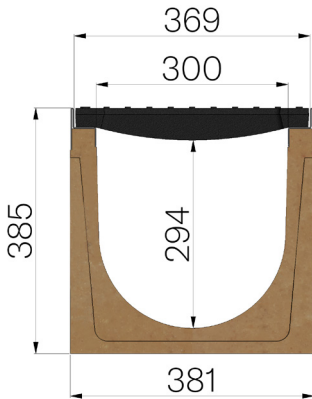


TECHNICAL SHEET



| | |
|--|--|
| ASSEMBLED CODE | 4RP5MSGE |
| DESCRIPTION | Channel P365 in polymer concrete, with galvanised edge, complete with no.1 cast iron grating GJS500-7 mm.365x500 h30 blocked, average drainage cross-section 833 cm ² load capacity E600 as per UNI EN 1433:2008 standards if installed following instructions. |
| PRODUCT LINE | Drainage channel type "M" |
| STANDARD | EN 1433:2008 |
| LOADING CLASS | E600 - EN 1433:2008 |
| INTENDED USE OR USES OF THE PRODUCT | Collection and channelling of surface water into areas subject to pedestrian and/or vehicle traffic according to the indicated flow rate. |
| DURABILITY | NPD |
| QUANTITY PER PACK | 9 |
| 1) CHANNEL | 4RP5S |
| MATERIAL | Polymer Concrete |
| SERIES TYPE | P series 365 |
| SECTION TYPE | Standard |
| PROFILE TYPE | Galvanized edge |
| VERSION TYPE | Normal without built-in slope |
| WATER FLOW LT / SEC | 0,5%=126 -1%=179,4 -1,5%=219,7 -2%=253,6 -3%=310,7 |
| 2) GRID | 4R05GSE |
| GRID TYPE | Ductile-iron Grid |
| MATERIAL | Ductile-Iron GJS500-7 : EN1563 |
| SURFACE FINISH | Paint coating |



| Article dimensions mm | Inner width mm | Runoff section cmq | Bottom outlet mm | Weight Kg/each |
|-----------------------|----------------|--------------------|------------------|----------------|
| 500 x 381 x H 385 | 300 | 833 | Ø315 | 54,67 |