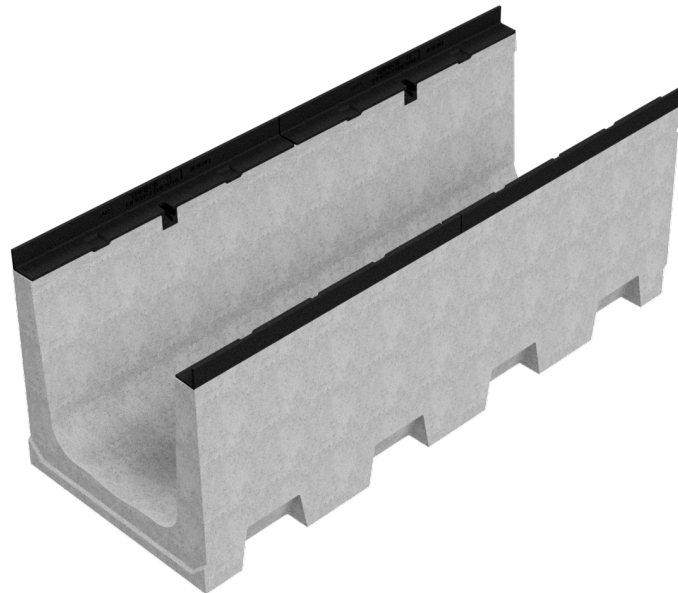
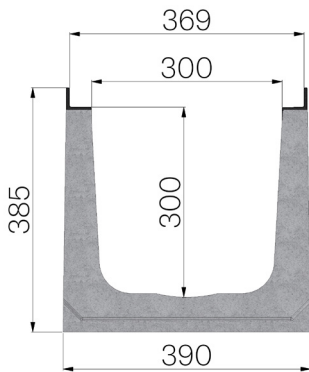


TECHNICAL SHEET



CODE	4RG5S
DESCRIPTION	Vibro-compressed concrete channel MOD. R365, with ductile iron protective edge rails, suitable for grating dim. 365x1000 H30 mm. Channel runoff section sqcm. 835. Load class F900 according to EN 1433:2008 Norm, if installed following manufacturer instructions.
PRODUCT LINE	Drainage channel type "M"
MATERIAL	Vibro-compressed Concrete
SERIES TYPE	R series 365
SECTION TYPE	H1
PROFILE TYPE	ductile iron PROFILES
VERSION TYPE	Normal without built-in slope
LOADING CLASS	F900 - EN 1433:2008



Article dimensions mm	Inner width mm	Runoff section cmq	Weight Kg/each
1000 x 390 x H 385	300	835	123,5