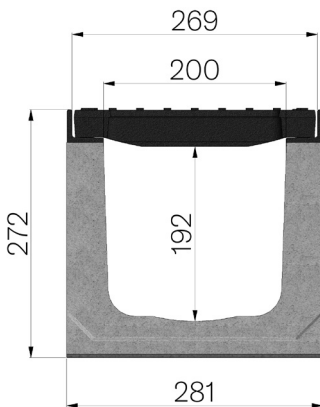


TECHNICAL SHEET



ASSEMBLED CODE	4RG3SGF
DESCRIPTION	Vibro-compressed concrete channel MOD. R265, with cast iron protective edge rails, c/w n. 2 x GJS500-7 ductile iron gratings dim. 265x500 H30 mm, installed and locked, painted. Channel runoff section sqcm. 376. Load class F900 according to EN 1433:2008 Norm, if installed following manufacturer instructions.
PRODUCT LINE	Drainage channel type "M"
STANDARD	EN 1433:2008
LOADING CLASS	F900 - EN 1433:2008
INTENDED USE OR USES OF THE PRODUCT	Collection and channelling of surface water into areas subject to pedestrian and/or vehicle traffic according to the indicated flow rate.
DURABILITY	Grades of weathering resistance: W +R (§6.3.3.3 EN 1433:2008)
QUANTITY PER PACK	16
1) CHANNEL	4RG3S
MATERIAL	Vibro-compressed Concrete
SERIES TYPE	R series 265
SECTION TYPE	H1
PROFILE TYPE	ductile iron PROFILES
VERSION TYPE	Normal without built-in slope
2) GRID	4R03GSF1
GRID TYPE	Ductile-iron Grid
MATERIAL	Ductile-Iron GJS500-7 : EN1563
SURFACE FINISH	Paint coating



Article dimensions mm	Inner width mm	Runoff section cmq	Weight Kg/each
1000 x 281 x H 272	200	376	101,57