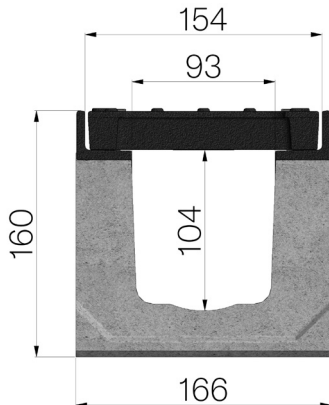


TECHNICAL SHEET



ASSEMBLED CODE	4RG1SGS
DESCRIPTION	Vibro-compressed concrete channel MOD. R150, with ductile iron protective edge rails, c/w n. 2 x GJS500-7 ductile iron grids dim.150x500 H25 mm, installed and locked, painted. Channel runoff section cm ² 90. Load class D400 according to UNI EN 1433:2008 Norm, if installed following manufacturer instructions.
PRODUCT LINE	Drainage channel type "M"
STANDARD	EN 1433:2008
LOADING CLASS	D400 - EN 1433:2008
INTENDED USE OR USES OF THE PRODUCT	Collection and channelling of surface water into areas subject to pedestrian and/or vehicle traffic according to the indicated flow rate.
DURABILITY	NPD
QUANTITY PER PACK	20
1) CHANNEL	4RG1S
MATERIAL	Vibro-compressed Concrete
SERIES TYPE	R series 150
SECTION TYPE	H1
PROFILE TYPE	ductile iron PROFILES
VERSION TYPE	Normal without built-in slope
WATER FLOW LT / SEC	0,5%=6,1 - 1%=8,7 - 1,5%=10,6 - 2%=12,3 - 3%=15
2) GRID	4R01GS2
GRID TYPE	Ductile-iron Grid
MATERIAL	Ductile-Iron GJS500-7 : EN1563
SURFACE FINISH	Paint coating



Article dimensions mm	Inner width mm	Runoff section cmq	Weight Kg/each
1000 x 166 x H 160	93	90	45,28