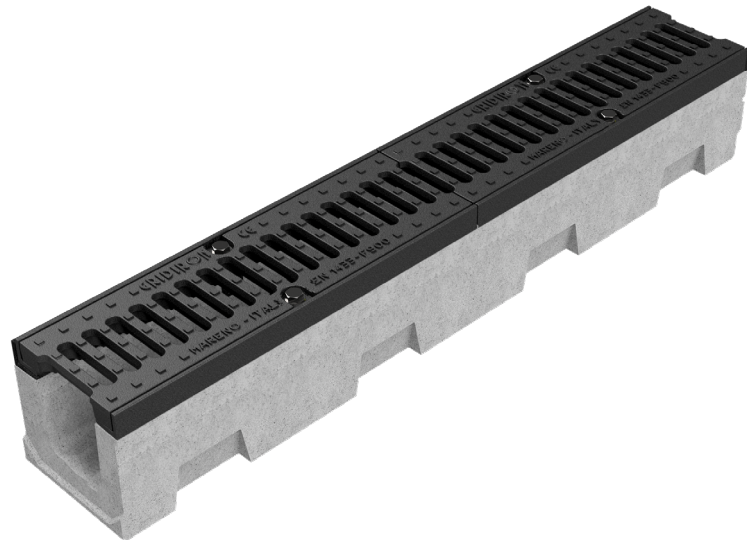
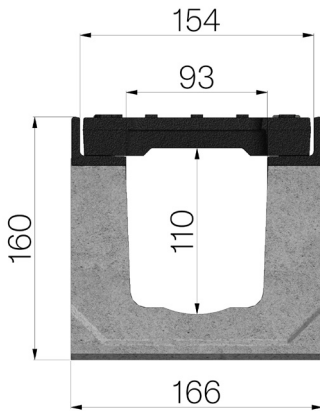


## TECHNICAL SHEET



<b>ASSEMBLED CODE</b>	4RG1SGF
<b>DESCRIPTION</b>	Vibro-compressed concrete channel MOD. R150, with galvanized protective edge rails, c/w n. 2 x GJS500-7 ductile iron grids dim. 150x500 H25 mm, installed and locked, painted. Channel runoff section cm <sup>2</sup> 90. Load class F900 according to EN 1433:2008 Norm, if installed following manufacturer instructions.
<b>PRODUCT LINE</b>	Drainage channel type "M"
<b>LOADING CLASS</b>	F900 - EN 1433:2008
<b>QUANTITY PER PACK</b>	36
<b>1) CHANNEL</b>	4RG1S
<b>MATERIAL</b>	Vibro-compressed Concrete
<b>SERIES TYPE</b>	R series 150
<b>SECTION TYPE</b>	H1
<b>PROFILE TYPE</b>	ductile iron PROFILES
<b>VERSION TYPE</b>	Normal without built-in slope
<b>WATER FLOW LT / SEC</b>	0,5%=6,1 - 1%=8,7 - 1,5%=10,6 - 2%=12,3 - 3%=15
<b>2) GRID</b>	4R01GSF
<b>GRID TYPE</b>	Ductile-iron Grid
<b>MATERIAL</b>	Ductile-Iron GJS500-7 : EN1563
<b>SURFACE FINISH</b>	Paint coating



Article dimensions mm	Inner width mm	Runoff section cmq	Weight Kg/each
1000 x 166 x H 162	93	90	47,15