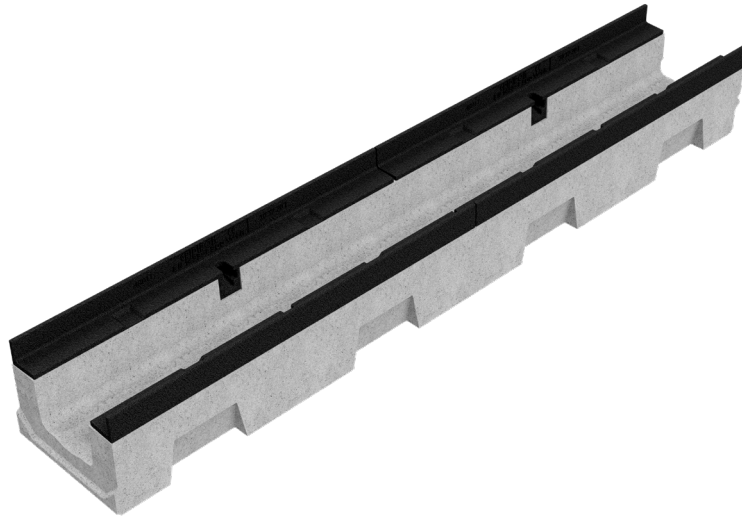
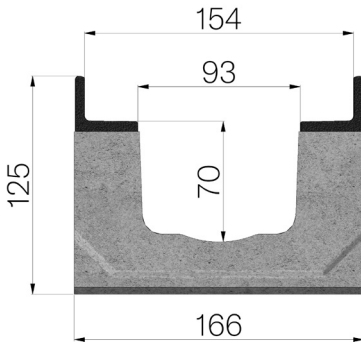


## TECHNICAL SHEET



<b>CODE</b>	4RG11S
<b>DESCRIPTION</b>	Vibro-compressed concrete channel MOD. R150 (H2), H125 mm, with galvanized protective edge rails, suitable for grating dim. 150x1000 H25 mm. Channel runoff section sqcm. 60. Load class F900 according to EN 1433:2008 Norm, if installed following manufacturer instructions.
<b>PRODUCT LINE</b>	Drainage channel type "M"
<b>MATERIAL</b>	Vibro-compressed Concrete
<b>SERIES TYPE</b>	R series 150
<b>SECTION TYPE</b>	H2
<b>PROFILE TYPE</b>	ductile iron PROFILES
<b>VERSION TYPE</b>	Normal without built-in slope
<b>LOADING CLASS</b>	F900 - EN 1433:2008



Article dimensions mm	Inner width mm	Runoff section cmq	Weight Kg/each
1000 x 166 x H 125	93	60	31,5