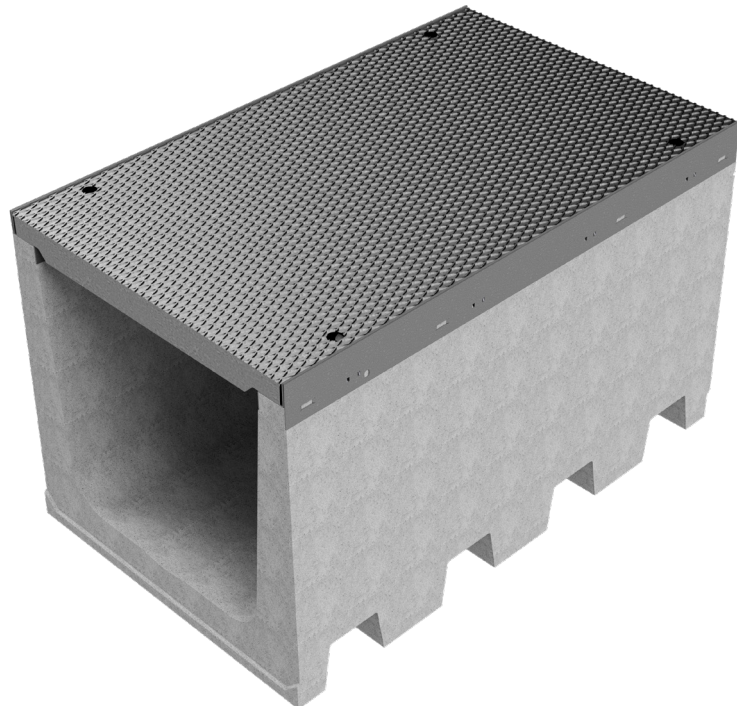
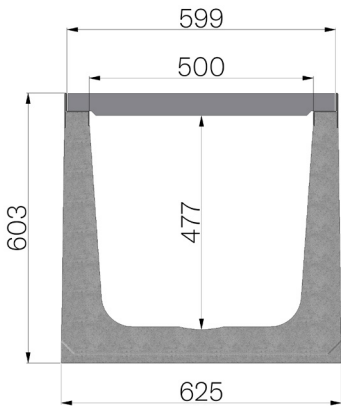


TECHNICAL SHEET



ASSEMBLED CODE	4R15SP
DESCRIPTION	Vibro-compressed concrete channel MOD. R595, with galvanized protective edge rails, c/w embossed metal sheet plate, th. 50/10, reinforced, installed and locked, hot-dip galvanized, dim. 590x1000 H50 mm. Channel runoff section cm ² 2225. Load class D400 according to EN 1433:2008 Norm, if installed following manufacturer instructions.
PRODUCT LINE	Drainage channel type "M"
STANDARD	EN 1433:2008
LOADING CLASS	D400 - EN 1433:2008
INTENDED USE OR USES OF THE PRODUCT	Collection and channelling of surface water into areas subject to pedestrian and/or vehicle traffic according to the indicated flow rate.
DURABILITY	Grades of weathering resistance: W +R (§6.3.3.3 EN 1433:2008)
QUANTITY PER PACK	4
1) CHANNEL	4R15S
MATERIAL	Vibro-compressed Concrete
SERIES TYPE	R series 595
SECTION TYPE	H1
PROFILE TYPE	Galvanized edge
VERSION TYPE	Normal without built-in slope
2) METAL SHEET PLATE	4R15P
TYPE OF METAL PLATE	Metal sheet plates for channels
MATERIAL	Carbon Steel S235JR acc. to EN 10025-2:2019
UPPER SHEET METAL	Embossed metal sheet plate 50/10



Article dimensions mm	Inner width mm	Runoff section cmq	Weight Kg/each
1000 x 625 x H 603	500	2.225	370