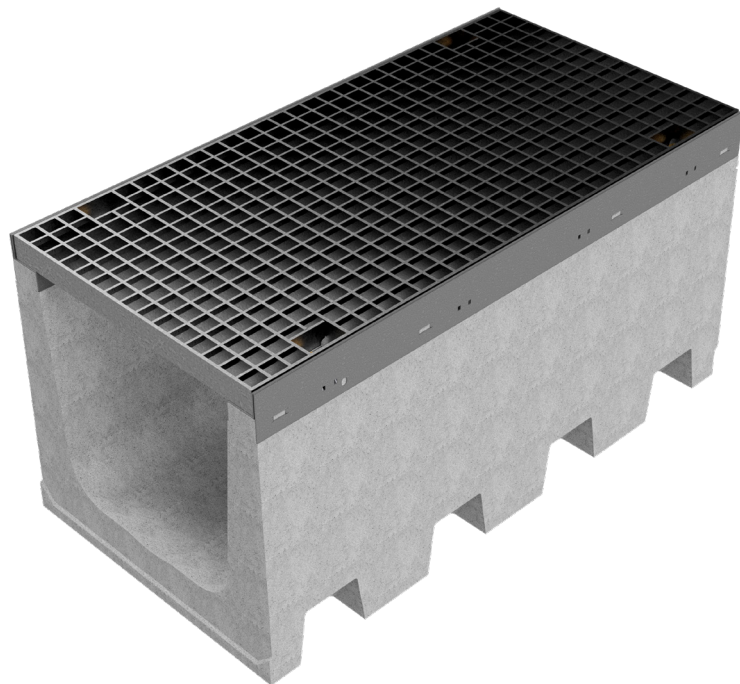
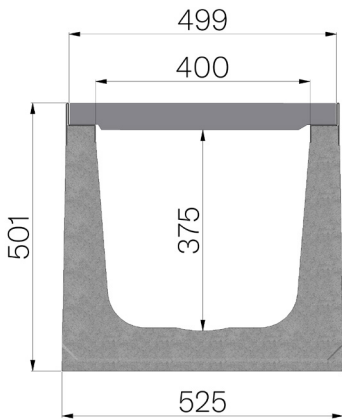


TECHNICAL SHEET



ASSEMBLED CODE	4R10SGPC
DESCRIPTION	Vibro-compressed concrete channel MOD. R495, with galvanized protective edge rails, c/w S235JR steel pressure-locked grating, bearing bar 40x5 mm, transverse bar 10x4 mm, 33x33 mm mesh, installed and locked, hot-dip galvanized, dim. 490x1000 H40 mm. Channel runoff section sqcm. 1390. Load class C250 according to EN 1433:2008 Norm, if installed following manufacturer instructions.
PRODUCT LINE	Drainage channel type "M"
STANDARD	EN 1433:2008
LOADING CLASS	C250 - EN 1433:2008
INTENDED USE OR USES OF THE PRODUCT	Collection and channelling of surface water into areas subject to pedestrian and/or vehicle traffic according to the indicated flow rate.
DURABILITY	Grades of weathering resistance: W +R (§6.3.3.3 EN 1433:2008)
QUANTITY PER PACK	6
1) CHANNEL	4R10S
MATERIAL	Vibro-compressed Concrete
SERIES TYPE	R series 495
SECTION TYPE	H1
PROFILE TYPE	Galvanized edge
VERSION TYPE	Normal without built-in slope
WATER FLOW LT / SEC	0,5%=387 - 1%=548 - 1,5%=671 - 2%=775 - 3%=950
2) GRID	4R10GPC
GRID TYPE	Press-locked
MATERIAL	Carbon Steel S235JR acc. to EN 10025-2:2019
SURFACE FINISH	Hot Dip Galvanizing - UNI 1461



Article dimensions mm	Inner width mm	Runoff section cmq	Weight Kg/each
1000 x 525 x H 501	400	1.390	256