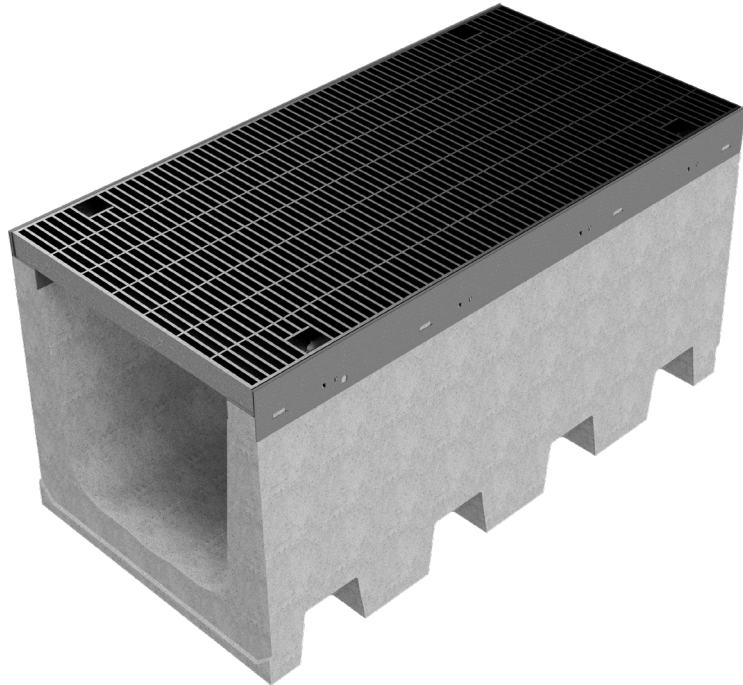
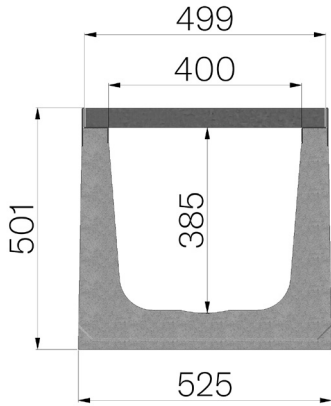


# TECHNICAL SHEET



|  |  |
|--|--|
| <b>ASSEMBLED CODE</b>                      | 4R10SGPA   |
| <b>DESCRIPTION</b>                         | Vibro-compressed concrete channel MOD. R495, with galvanized protective edge rails, c/w S235JR steel pressure-locked grating, bearing bar 40x4 mm, transverse bar 10x4 mm, 15x66 mm heelguard mesh, installed and locked, hot-dip galvanized, dim. 490x1000 H40 mm. Channel runoff section sqcm. 1390. Load class D400 according to EN 1433:2008 Norm, if installed following manufacturer instructions. |
| <b>PRODUCT LINE</b>                        | Drainage channel type "M"  |
| <b>STANDARD</b>                            | EN 1433:2008   |
| <b>LOADING CLASS</b>                       | D400 - EN 1433:2008  |
| <b>INTENDED USE OR USES OF THE PRODUCT</b> | Collection and channelling of surface water into areas subject to pedestrian and/or vehicle traffic according to the indicated flow rate.  |
| <b>DURABILITY</b>                          | Grades of weathering resistance: W +R (§6.3.3.3 EN 1433:2008)  |
| <b>QUANTITY PER PACK</b>                   | 6  |
| <b>1) CHANNEL</b>                          | 4R10S  |
| <b>MATERIAL</b>                            | Vibro-compressed Concrete  |
| <b>SERIES TYPE</b>                         | R series 495   |
| <b>SECTION TYPE</b>                        | H1   |
| <b>PROFILE TYPE</b>                        | Galvanized edge  |
| <b>VERSION TYPE</b>                        | Normal without built-in slope  |
| <b>WATER FLOW LT / SEC</b>                 | 0,5%=387 - 1%=548 - 1,5%=671 - 2%=775 - 3%=950   |
| <b>TYPE OF GRATING</b>                     | Flat bar 40x4 Mesh 15x66   |



| Article dimensions mm | Inner width mm | Runoff section cmq | Weight Kg/each |
|-----------------------|----------------|--------------------|----------------|
| 1000 x 525 x H 501    | 400            | 1.390              | 281            |