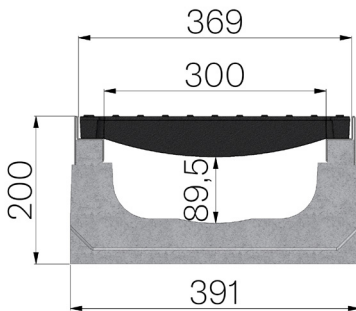


## TECHNICAL SHEET



<b>ASSEMBLED CODE</b>	4R051SGE
<b>DESCRIPTION</b>	Vibro-compressed concrete channel MOD. R365 H2, with galvanized protective edge rails, c/w n. 2 x GJS500-7 ductile iron gratings dim. 365x500 H30 mm. installed and locked, painted. Channel runoff section cm <sup>2</sup> 291. Load class E600 according to EN 1433:2008 Norm, if installed following manufacturer instructions.
<b>PRODUCT LINE</b>	Drainage channel type "M"
<b>STANDARD</b>	EN 1433:2008
<b>LOADING CLASS</b>	E600 - EN 1433:2008
<b>INTENDED USE OR USES OF THE PRODUCT</b>	Collection and channelling of surface water into areas subject to pedestrian and/or vehicle traffic according to the indicated flow rate.
<b>DURABILITY</b>	Grades of weathering resistance: W +R (§6.3.3.3 EN 1433:2008)
<b>QUANTITY PER PACK</b>	15
<b>1) CHANNEL</b>	4R051S
<b>MATERIAL</b>	Vibro-compressed Concrete
<b>SERIES TYPE</b>	R series 365
<b>SECTION TYPE</b>	H2
<b>PROFILE TYPE</b>	Galvanized edge
<b>VERSION TYPE</b>	Normal without built-in slope
<b>WATER FLOW LT / SEC</b>	0,5%=120 - 1%=169 - 1,5%=207 - 2%=239 - 3%=293
<b>2) GRID</b>	4R05GSE
<b>GRID TYPE</b>	Ductile-iron Grid
<b>MATERIAL</b>	Ductile-Iron GJS500-7 : EN1563
<b>SURFACE FINISH</b>	Paint coating



Article dimensions mm	Inner width mm	Runoff section cmq	Weight Kg/each
1000 x 391 x H 200	300	291	131