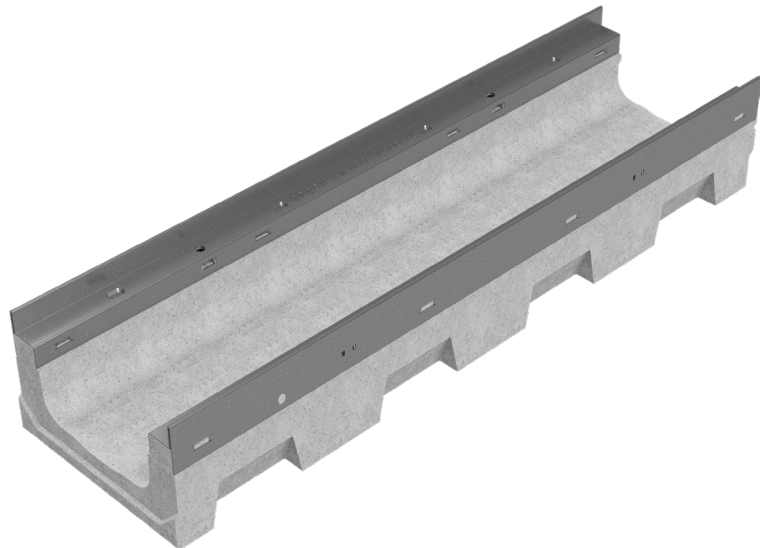
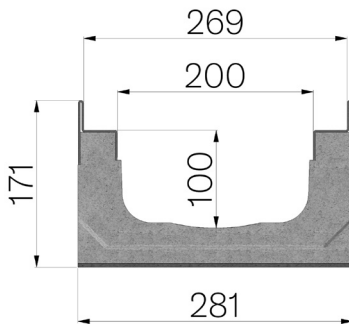


TECHNICAL SHEET



CODE	4R031S
DESCRIPTION	Vibro-compressed concrete channel MOD. R265 H2, with galvanized protective edge rails, suitable for grating dim. 265x1000 mm H30 mm. Channel runoff section sqcm. 183,. Load class F900 according to EN 1433:2008 Norm, if installed following manufacturer instructions.
PRODUCT LINE	Drainage channel type "M"
MATERIAL	Vibro-compressed Concrete
SERIES TYPE	R series 265
SECTION TYPE	H2
PROFILE TYPE	Galvanized edge
VERSION TYPE	Normal without built-in slope
STANDARD	EN 1433:2008
LOADING CLASS	F900 - EN 1433:2008
INTENDED USE OR USES OF THE PRODUCT	Collection and channelling of surface water into areas subject to pedestrian and/or vehicle traffic according to the indicated flow rate.
DURABILITY	Grades of weathering resistance: W +R (§6.3.3.3 EN 1433:2008)



Article dimensions mm	Inner width mm	Runoff section cmq	Weight Kg/each
1000 x 281 x H 171	200	183	51,9