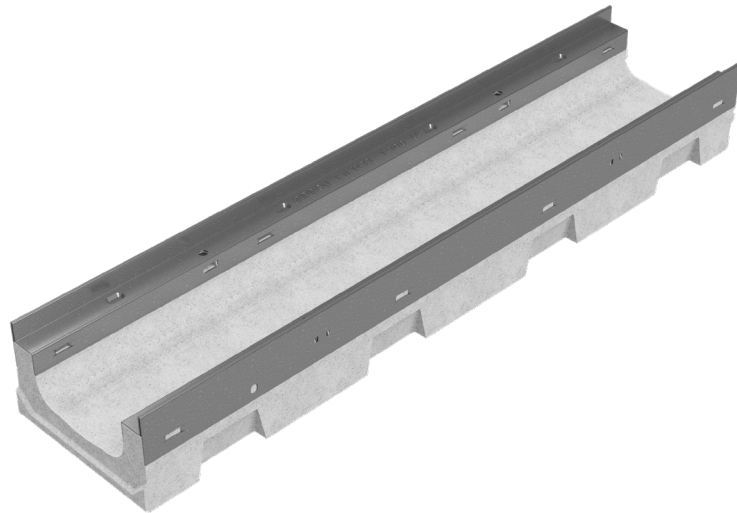
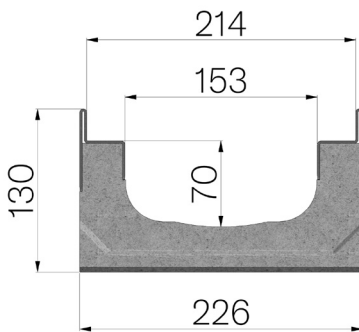


# TECHNICAL SHEET



<b>CODE</b>	4R021S
<b>DESCRIPTION</b>	Vibro-compressed concrete channel MOD. R210 (H2), H130 mm, with galvanized protective edge rails, suitable for grating dim.210x1000 H25 mm. Channel runoff section cm <sup>2</sup> 115. Load class D400 according to EN 1433:2008 Norm, if installed following manufacturer instructions.
<b>PRODUCT LINE</b>	Drainage channel type "M"
<b>MATERIAL</b>	Vibro-compressed Concrete
<b>SERIES TYPE</b>	R series 210
<b>SECTION TYPE</b>	H2
<b>PROFILE TYPE</b>	Galvanized edge
<b>VERSION TYPE</b>	Normal without built-in slope
<b>STANDARD</b>	EN 1433:2008
<b>LOADING CLASS</b>	D400 - EN 1433:2008
<b>INTENDED USE OR USES OF THE PRODUCT</b>	Collection and channelling of surface water into areas subject to pedestrian and/or vehicle traffic according to the indicated flow rate.
<b>DURABILITY</b>	Grades of weathering resistance: W +R (§6.3.3.3 EN 1433:2008)



Article dimensions mm	Inner width mm	Runoff section cmq	Weight Kg/each
1000 x 226 x H 130	153	115	35,67