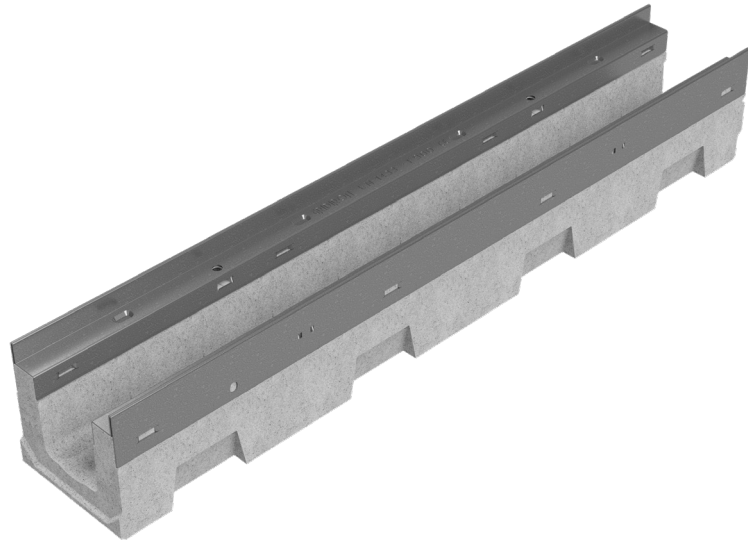
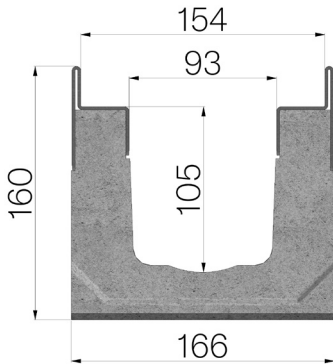


TECHNICAL SHEET



CODE	4R01S
DESCRIPTION	Vibro-compressed concrete channel MOD. R150, with galvanized protective edge rails, suitable for grating dim.150x1000 H25 mm. Channel runoff section cm ² 90. Load class F900 according to EN 1433:2008 Norm, if installed following manufacturer instructions.
MATERIAL	Vibro-compressed Concrete
SERIES TYPE	R series 150
SECTION TYPE	H1
PROFILE TYPE	Galvanized edge
VERSION TYPE	Normal without built-in slope
STANDARD	EN 1433:2008
LOADING CLASS	F900 - EN 1433:2008
INTENDED USE OR USES OF THE PRODUCT	Collection and channelling of surface water into areas subject to pedestrian and/or vehicle traffic according to the indicated flow rate.
DURABILITY	Grades of weathering resistance: W +R (§6.3.3.3 EN 1433:2008)



Article dimensions mm	Inner width mm	Runoff section cmq	Weight Kg/each
1000 x 166 x H 160	93	90	34,36