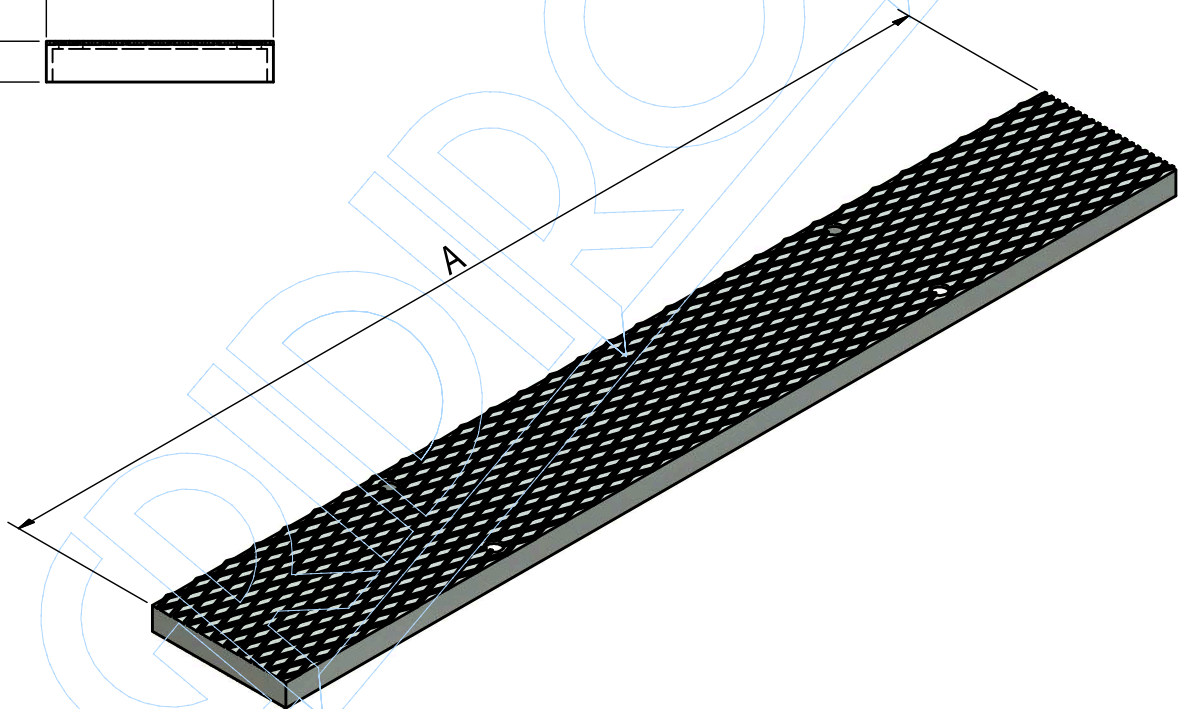
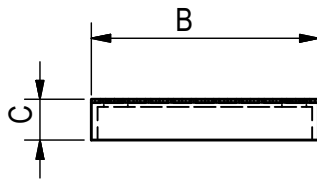


TECHNICAL SHEET



CODE	4R01P
	Reinforced 3+2 chequered metal sheet PLATE, for P150 and R150 channels, hot-dip galvanized.
TYPE	Metal sheet
MATERIAL	S235JR - EN 10025:2005
SURFACE FINISH	Hot dip galvanized - UNI 1461
LOADING CLASS	Class A15
NORM	EN 1433:2008
COMPONENTS	Lam.Striata 3+2 con Grigliato 20x3 25x66



A	B	C	D
LENGHT MM	WIDTH MM	HEIGHT MM	WEIGHT KG
1000	150	25	10,9