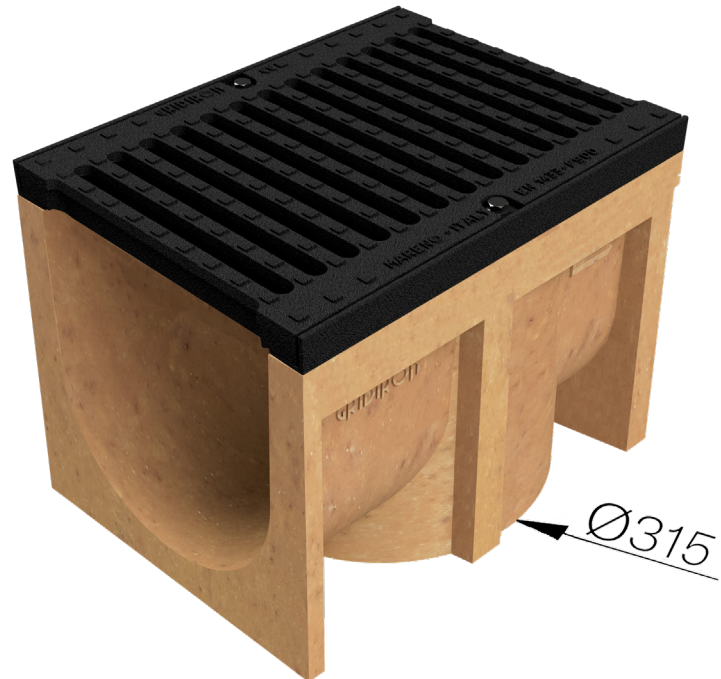
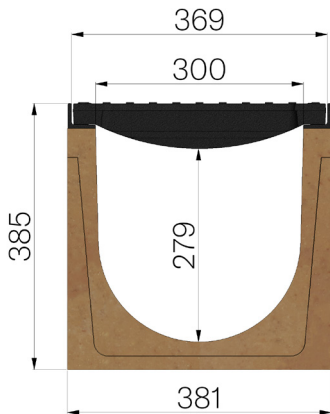


TECHNICAL SHEET



ASSEMBLED CODE	4PG5MSGF
DESCRIPTION	P365 L=500 polymer concrete drain channel, with edge rails, c/w no.1 grid in ductile iron GJS500-7, dim. 365x500 H30, assembled and locked, runoff section sqcm. 833. Loading class F900 accordingly to Standards UNI-EN 1433:2008 Norm as for installation instructions.
PRODUCT LINE	Drainage channel type "M"
LOADING CLASS	F900 - EN 1433:2008
1) CHANNEL	4PG5MS
MATERIAL	Polymer Concrete
SERIES TYPE	P series 365
SECTION TYPE	Standard
PROFILE TYPE	ductile iron PROFILES
VERSION TYPE	Normal without built-in slope
2) GRID	4R05GSF
GRID TYPE	Ductile-iron Grid
MATERIAL	Ductile-Iron GJS500-7 : EN1563
SURFACE FINISH	Paint coating



Inner width mm	Runoff section cmq	Weight Kg/each
300	833	58,62