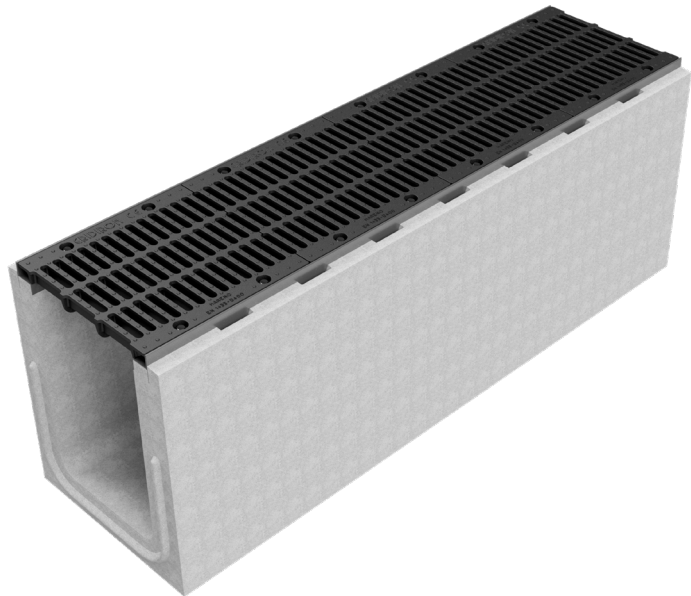
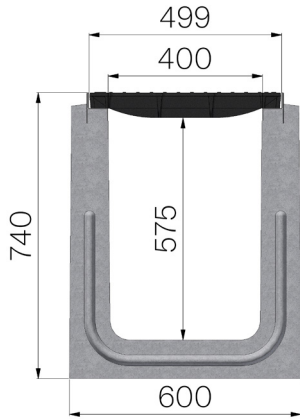


## TECHNICAL SHEET



<b>ASSEMBLED CODE</b>	41102SDGS
<b>DESCRIPTION</b>	Self-supporting reinforced concrete channel TYPE I, mod. I400, complete with WeepHoles® system for drainage asphalt, c/w protective edge rails galvanized and ductile iron grating loading class D400 as per EN 1433 Norm.
<b>STANDARD</b>	EN 1433:2008
<b>LOADING CLASS</b>	D400 - EN 1433:2008
<b>INTENDED USE OR USES OF THE PRODUCT</b>	Collection and channelling of surface water into areas subject to pedestrian and/or vehicle traffic according to the indicated flow rate.
<b>DURABILITY</b>	Grades of weathering resistance: W +R (§6.3.3.3 EN 1433:2008)
<b>QUANTITY PER PACK</b>	2
<b>1) CHANNEL</b>	41102SD
<b>MATERIAL</b>	Vibro-compressed reinforced concrete
<b>SERIES TYPE</b>	I series 400
<b>SECTION TYPE</b>	H3
<b>PROFILE TYPE</b>	Galvanized edge
<b>VERSION TYPE</b>	Normal without built-in slope
<b>2) GRID</b>	4R10GSD
<b>GRID TYPE</b>	Ductile-iron Grid
<b>MATERIAL</b>	Ductile-Iron GJS500-7 : EN1563
<b>SURFACE FINISH</b>	Paint coating



Article dimensions mm	Inner width mm	Runoff section cmq	Weight Kg/each
2000 x 600 x H 740	400	2.352	1.007,63