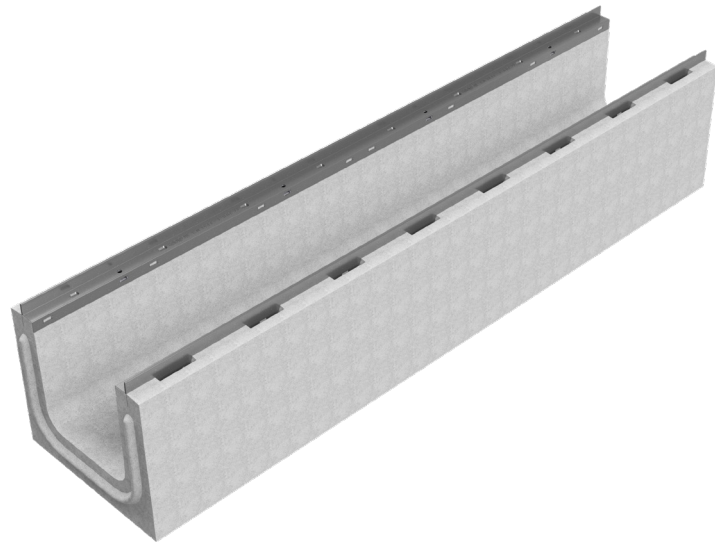
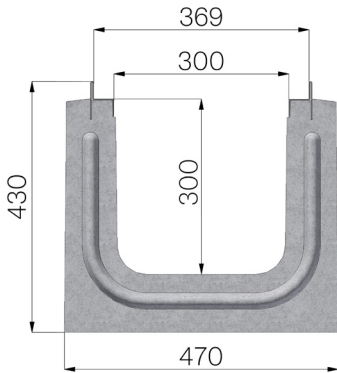


TECHNICAL SHEET



CODE	4105SD
DESCRIPTION	Self-supporting reinforced concrete channel TYPE I, mod. I300, complete with WeepHoles® system for drainage asphalt, c/w protective edge rails galvanized, suitable for ductile iron gratings GJS500-7, loading class F900 as per EN 1433:2008. Norm.
MATERIAL	Vibro-compressed reinforced concrete
SERIES TYPE	I series 300
SECTION TYPE	H1
PROFILE TYPE	Galvanized edge
VERSION TYPE	Normal without built-in slope
STANDARD	EN 1433:2008
LOADING CLASS	F900 - EN 1433:2008
DURABILITY	Grades of weathering resistance: W +R (§6.3.3.3 EN 1433:2008)



Article dimensions mm	Inner width mm	Runoff section cmq	Weight Kg/each
2000 x 470 x H 430	300	862	492