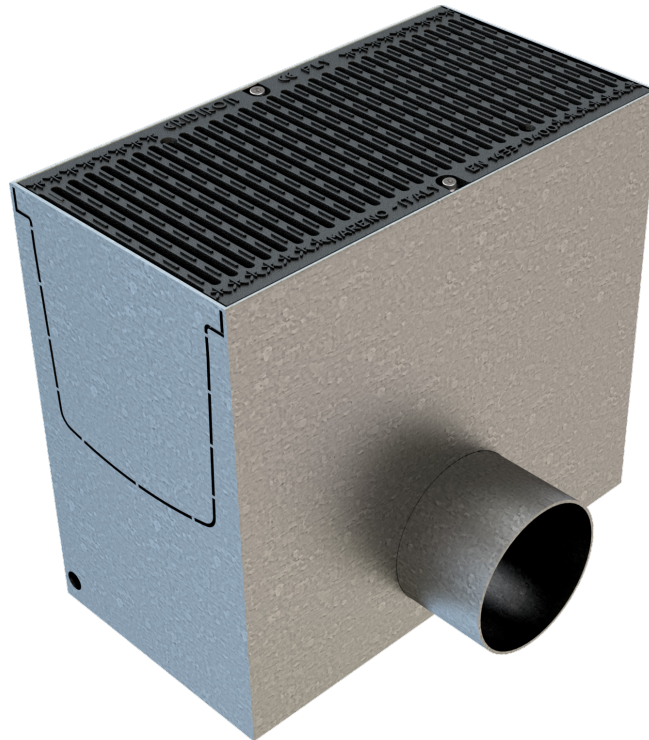
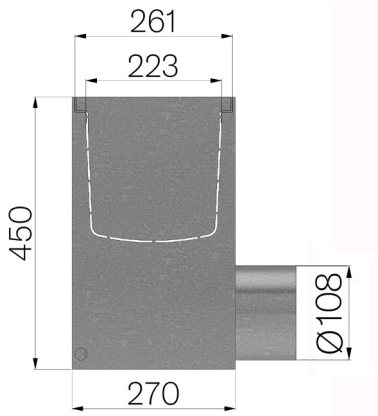


TECHNICAL SHEET



ASSEMBLED CODE	4G22PZGSA
DESCRIPTION	Galvanized steel sump unit, for channel MOD. POLY FLY 200, th. 20/10, with lateral outlet Ø 108mm, L. 500 mm, c/w GJS500-7 ductile iron 6 mm slot (heelguard) grating, painted, installed and locked. Load class D400 according to EN 1433:2008 Norm, if installed following manufacturer instructions.
PRODUCT LINE	Drainage channel type "M"
STANDARD	EN 1433:2008
LOADING CLASS	D400 - EN 1433:2008
INTENDED USE OR USES OF THE PRODUCT	Collection and channelling of surface water into areas subject to pedestrian and/or vehicle traffic according to the indicated flow rate.
DURABILITY	NPD
1) CHANNEL	4G22PZ
MATERIAL	S235JR steel - EN 10025-2:2019
SERIES TYPE	Polyfly series 200
SECTION TYPE	Standard
PROFILE TYPE	Galvanized edge
VERSION TYPE	Normal without built-in slope
2) GRID	4D22GSA
GRID TYPE	Ductile-iron Grid
MATERIAL	Ductile-Iron GJS500-7 : EN1563
SURFACE FINISH	Powder coated
SLOT SIZE	6 mm x 196 mm



Article dimensions mm	Inner width mm	Runoff section cmq	Weight Kg/each
500 x 270 x H 450 mm	223	448	70,62