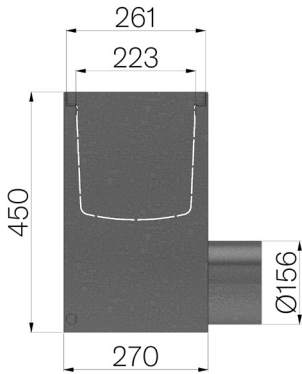


TECHNICAL SHEET



CODE	4G22PZG2
DESCRIPTION	Polymer concrete sump unit, for channel MOD. POLY FLY 200, th. 20/10, with lateral outlet Ø 200 mm, L. 500 mm, c/w S235JR steel pressure-locked grating, 25x2-10x2, 55x11 heelguard mesh, hot-dip galvanised, installed and locked. Load class C250 according to EN 1433:2008 Norm, if installed following manufacturer instructions.
PRODUCT LINE	Drainage channel type "M"
MATERIAL	Polymer Concrete
SERIES TYPE	Polyfly series 200
SECTION TYPE	Standard
PROFILE TYPE	Galvanized edge
VERSION TYPE	Normal without built-in slope
LOADING CLASS	C250 - EN 1433:2008



Inner width mm	Runoff section cmq	Weight Kg/each
223	156	63,02