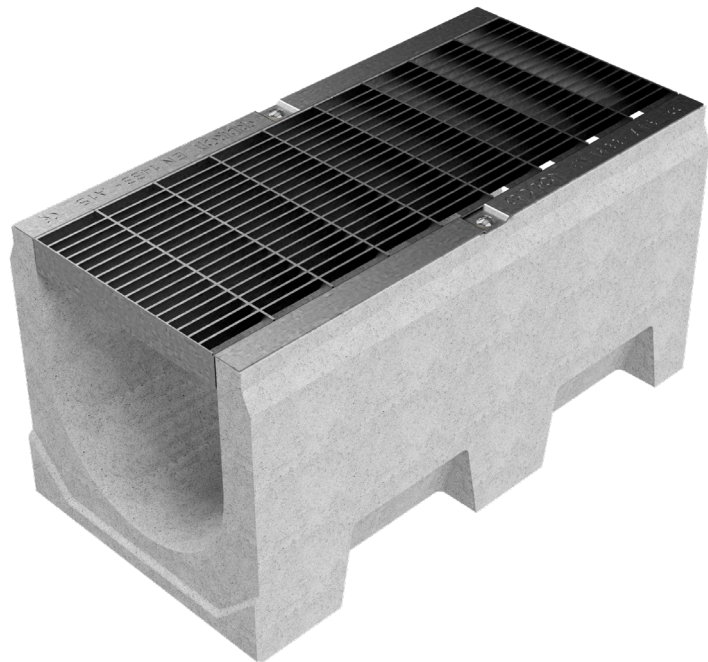
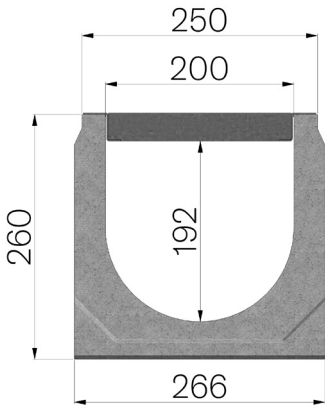


# TECHNICAL SHEET



|                       |   |
|-----------------------|---|
| <b>ASSEMBLED CODE</b> | 4F25SA  |
| <b>DESCRIPTION</b>    | Vibro-compressed concrete channel MOD. VIBRO-BASE 200 (H1), H260 mm, L. 500 mm, c/w S235JR steel inlay pressure-locked grating, 30x2-10x2, 33x33 mesh, installed and locked, hot-dip galvanised. Channel average runoff section sqcm. 397. Load class A15 according to EN 1433:2008 Norm, if installed following manufacturer instructions. |
| <b>PRODUCT LINE</b>   | Drainage channel type "M"   |
| <b>LOADING CLASS</b>  | A15 - EN 1433:2008  |
| <b>1) CHANNEL</b>     | 4F25S   |
| <b>MATERIAL</b>       | Vibro-compressed Concrete   |
| <b>SERIES TYPE</b>    | Vibrobase series 200  |
| <b>SECTION TYPE</b>   | H1  |
| <b>PROFILE TYPE</b>   | Without profiles  |
| <b>VERSION TYPE</b>   | Normal without built-in slope   |
| <b>2) GRID</b>        | 4521A   |
| <b>GRID TYPE</b>      | Press-locked  |
| <b>MATERIAL</b>       | Carbon Steel S235JR acc. to EN 10025-2:2019   |
| <b>SURFACE FINISH</b> | Hot Dip Galvanizing - UNI 1461  |



| Inner width mm | Runoff section cmq | Weight Kg/each |
|----------------|--------------------|----------------|
| 200            | 397                | 33,02          |