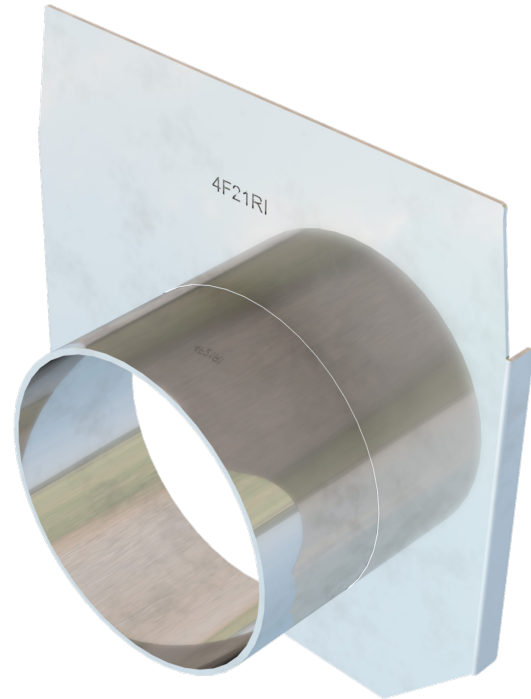
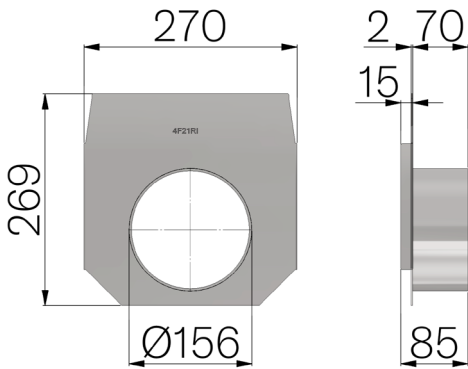


## TECHNICAL SHEET



<b>CODE</b>	4F21RI
<b>DESCRIPTION</b>	AISI 304 stainless steel end cap with outlet Ø 156 mm, th. 20/10, for channel MOD. VIBRO-BASE 200 (H2).
<b>MATERIAL</b>	Inox AISI 304 - X5 CrNi 18 10



Article dimensions mm	Thickness mm	Bottom outlet mm	Weight Kg/each
85 x 270 x H 269	1,5	156	3,04