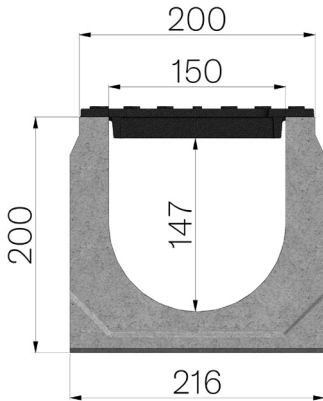


TECHNICAL SHEET



ASSEMBLED CODE	4F15SGS
DESCRIPTION	Vibro-compressed concrete channel MOD. VIBRO-BASE 150 (H1), H200 mm, L.500 mm, c/w 1 x GJS500-7 ductile iron inlay grating, painted, installed and locked. Channel average runoff section sqcm. 223. Load class C250 according to EN 1433:2008 Norm, if installed following manufacturer instructions.
PRODUCT LINE	Drainage channel type "M"
STANDARD	EN 1433:2008
LOADING CLASS	C250 - EN 1433:2008
DURABILITY	Grades of weathering resistance: W +R (§6.3.3.3 EN 1433:2008)
1) CHANNEL	4F15S
MATERIAL	Vibro-compressed Concrete
SERIES TYPE	Vibrobase series 150
SECTION TYPE	H1
PROFILE TYPE	Without profiles
VERSION TYPE	Normal without built-in slope



Inner width mm	Runoff section cmq	Weight Kg/each
150	223	27,98