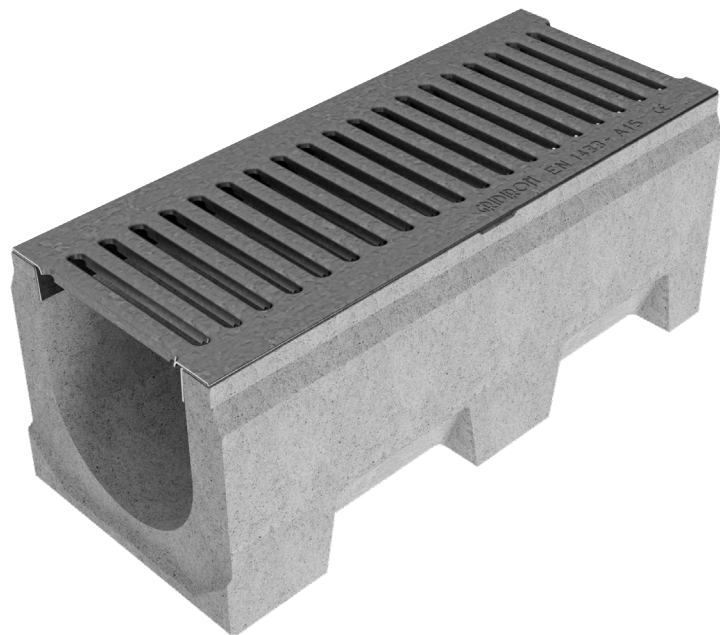
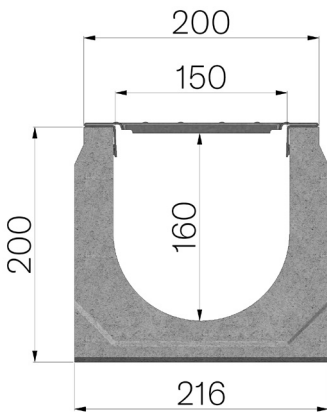


TECHNICAL SHEET



ASSEMBLED CODE	4F15SGL
DESCRIPTION	Vibro-compressed concrete channel MOD. VIBRO-BASE 150 (H1), H200 mm, L.500 mm, c/w galvanised steel inlay press-formed metal sheet grating, 8 mm slots, Th. 15/10, installed, self-locking. Channel average runoff section sqcm. 223. Load class A15 according to EN 1433:2008 Norm, if installed following manufacturer instructions.
PRODUCT LINE	Drainage channel type "M"
LOADING CLASS	A15 - EN 1433:2008
1) CHANNEL	4F15SS
MATERIAL	Vibro-compressed Concrete
SERIES TYPE	Vibrobase series 150
SECTION TYPE	H1
PROFILE TYPE	Without profiles
VERSION TYPE	Normal without built-in slope
2) GRID	4F15GL
MATERIAL	Metal sheet DX51D - EN 10346/EN 10143
SURFACE FINISH	Galvanized Z200 - EN 10346



Inner width mm	Runoff section cmq	Weight Kg/each
150	223	23,59