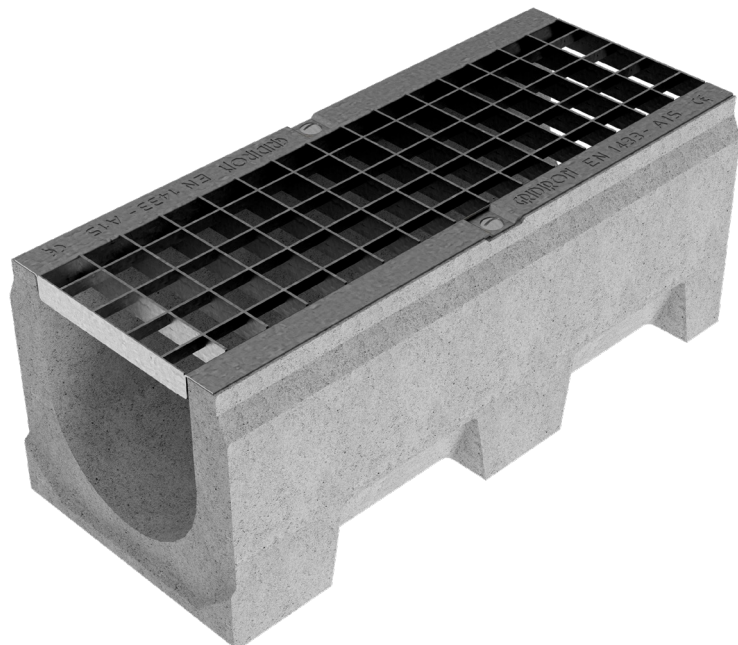
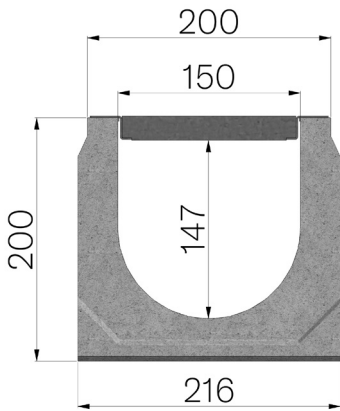


TECHNICAL SHEET



ASSEMBLED CODE	4F15SA
DESCRIPTION	Vibro-compressed concrete channel MOD. VIBRO-BASE 150 (H1), H200 mm, L.500 mm, c/w S235JR steel inlay pressure-locked grating, 20x2-10x2, 33x33 mesh, installed, hot-dip galvanised. Channel average runoff section sqcm. 223. Load class A15 according to EN 1433:2008 Norm, if installed following manufacturer instructions.
PRODUCT LINE	Drainage channel type "M"
STANDARD	EN 1433:2008
LOADING CLASS	A15 - EN 1433:2008
DURABILITY	Grades of weathering resistance: W +R (§6.3.3.3 EN 1433:2008)
1) CHANNEL	4F15S
MATERIAL	Vibro-compressed Concrete
SERIES TYPE	Vibrobase series 150
SECTION TYPE	H1
PROFILE TYPE	Without profiles
VERSION TYPE	Normal without built-in slope
2) GRID	4511A
GRID TYPE	Press-locked
MATERIAL	Carbon Steel S235JR acc. to EN 10025-2:2019
SURFACE FINISH	Hot Dip Galvanizing - UNI 1461



Inner width mm	Runoff section cmq	Weight Kg/each
150	223	23,58