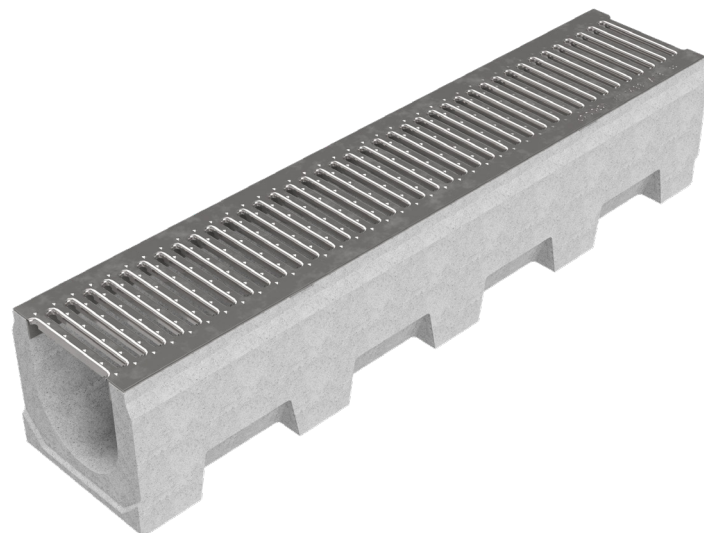
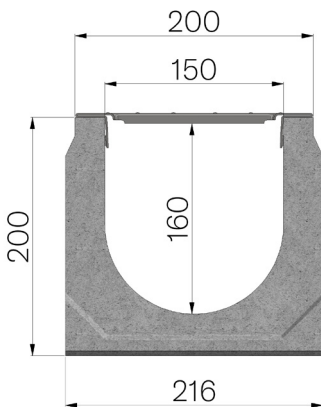


TECHNICAL SHEET



ASSEMBLED CODE	4F10SGLI
DESCRIPTION	Vibro-compressed concrete channel MOD. VIBRO-BASE 150 (H1), H200 mm, c/w AISI 304 stainless steel inlay press-formed metal sheet grating, 8 mm slots, Th. 12/10, installed, self-locking. Channel average runoff section cm ² 223. Load class A15 according to EN 1433:2008 Norm, if installed following manufacturer instructions.
PRODUCT LINE	Drainage channel type "M"
STANDARD	EN 1433:2008
LOADING CLASS	A15 - EN 1433:2008
INTENDED USE OR USES OF THE PRODUCT	Collection and channelling of surface water into areas subject to pedestrian and/or vehicle traffic according to the indicated flow rate.
DURABILITY	Grades of weathering resistance: W +R (§6.3.3.3 EN 1433:2008)
1) CHANNEL	4F10SS
MATERIAL	Vibro-compressed Concrete
SERIES TYPE	Vibrobase series 150
SECTION TYPE	H1
PROFILE TYPE	Without profiles
VERSION TYPE	Normal without built-in slope
WATER FLOW LT / SEC	0,5%=7,1 - 1%=10 - 1,5%=12,3 - 2%=14,2 - 3%=17,4
2) GRID	4F10GLI
MATERIAL	Inox AISI 304 - X5 CrNi 18 10
SURFACE FINISH	None



Article dimensions mm	Inner width mm	Runoff section cmq	Weight Kg/each
1000 x 216 x H 200	150	223	47,17