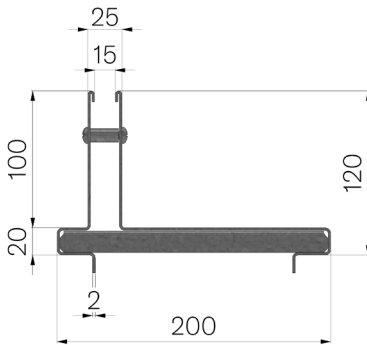


TECHNICAL SHEET



| | |
|--|---|
| CODE | 4F10L2 |
| DESCRIPTION | Galvanized steel brickslot cover mod. THIN H100, th. 20/10, with 15 mm side slot, height 100+20 mm, for channel MOD. VIBRO-BASE 150. |
| PRODUCT LINE | Galvanized THIN covers |
| MATERIAL | Metal sheet DX51D - EN 10346/EN 10143 |
| SURFACE FINISH | Galvanized Z200 - EN 10346 |
| STANDARD | EN 1433:2008 |
| INTENDED USE OR USES OF THE PRODUCT | Collection and channelling of surface water into areas subject to pedestrian and/or vehicle traffic according to the indicated flow rate. |
| DURABILITY | Galvanized surface as per standard EN ISO 1461. Galvanizing durability according to EN ISO 14713. |
| LOADING CLASS | D400 - EN 1433:2008 |



| Article dimensions mm | Slot size mm | Thickness mm | Weight Kg/each |
|-----------------------|--------------|--------------|----------------|
| 200 x 1000 x H100 | 15 | 2 | 8,1 |