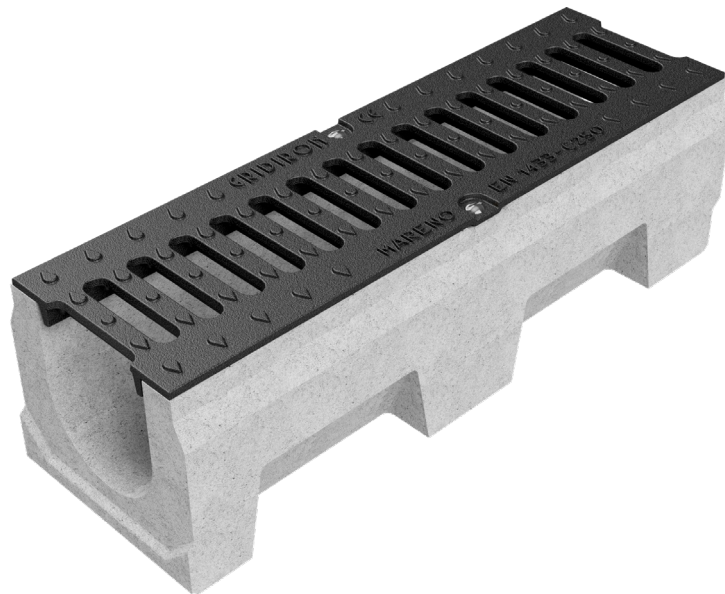
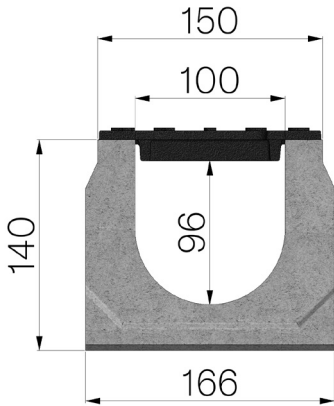


TECHNICAL SHEET



ASSEMBLED CODE	4F05SGS
DESCRIPTION	Vibro-compressed concrete channel MOD. VIBRO-BASE 100 (H1), h140 mm, L. 500 mm, c/w 1 x GJS500-7 ductile iron inlay gratings, painted, installed and locked. Channel average runoff section sqcm. 99. Load class C250 according to EN 1433:2008 Norm, if installed following manufacturer instructions.
PRODUCT LINE	Drainage channel type "M"
LOADING CLASS	C250 - EN 1433:2008
1) CHANNEL	4F05S
MATERIAL	Vibro-compressed Concrete
SERIES TYPE	Vibrobase series 100
SECTION TYPE	H1
PROFILE TYPE	Without profiles
VERSION TYPE	Normal without built-in slope
2) GRID	4F05GS1
GRID TYPE	Ductile-iron Grid
MATERIAL	Ductile-Iron GJS500-7 : EN1563
SURFACE FINISH	Paint coating



Inner width mm	Runoff section cmq	Weight Kg/each
100	99	17,68