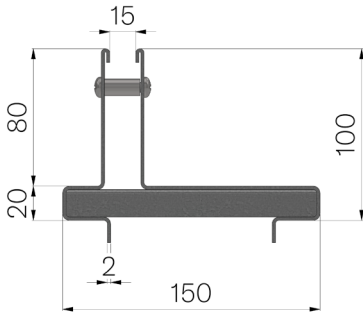


TECHNICAL SHEET



| | |
|--|---|
| CODE | 4F05L1 |
| DESCRIPTION | Galvanized steel brickslot cover mod. THIN H80, th. 20/10, L. 500 mm, with 15 mm side slot, height 80+20 mm, for channel MOD. VIBRO-BASE 100 (L. 500 mm version). |
| PRODUCT LINE | Galvanized THIN covers |
| MATERIAL | Metal sheet DX51D - EN 10346/EN 10143 |
| SURFACE FINISH | Galvanized Z200 - EN 10346 |
| STANDARD | EN 1433:2008 |
| INTENDED USE OR USES OF THE PRODUCT | Collection and channelling of surface water into areas subject to pedestrian and/or vehicle traffic according to the indicated flow rate. |
| DURABILITY | Galvanized surface as per standard EN ISO 1461. Galvanizing durability according to EN ISO 14713. |
| LOADING CLASS | D400 - EN 1433:2008 |



| Article dimensions mm | Slot size mm | Thickness mm | Weight Kg/each |
|-----------------------|--------------|--------------|----------------|
| 150 x 500 x H 80 | 15 | 2 | 3,34 |