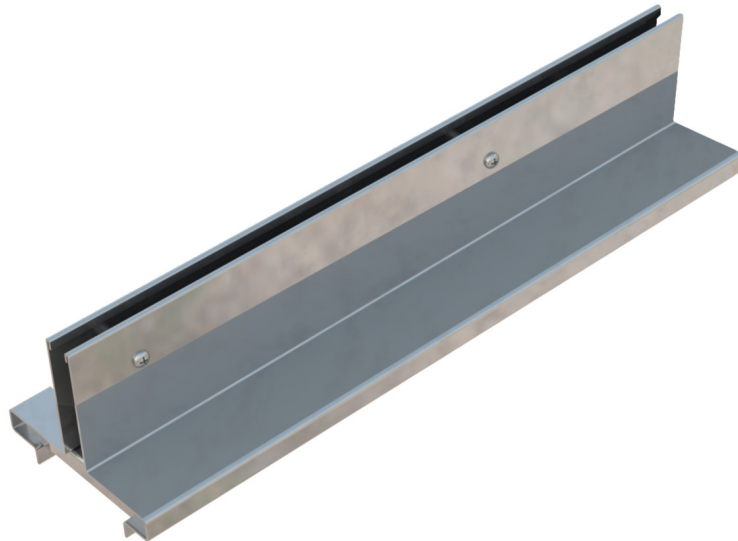
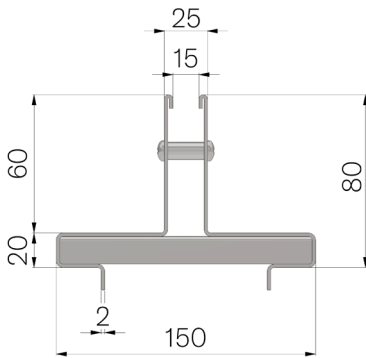


## TECHNICAL SHEET



<b>CODE</b>	4F05I
<b>DESCRIPTION</b>	AISI 304 stainless steel brickslot cover mod. THIN H60, th. 20/10, L. 500 mm, with 15 mm central slot, height 60+20 mm, for channels MOD. VIBRO-BASE 100 (L. 500 mm version).
<b>PRODUCT LINE</b>	THIN cover
<b>MATERIAL</b>	Inox AISI 304 - X5 CrNi 18 10
<b>STANDARD</b>	EN 1433:2008
<b>INTENDED USE OR USES OF THE PRODUCT</b>	Collection and channelling of surface water into areas subject to pedestrian and/or vehicle traffic according to the indicated flow rate.
<b>DURABILITY</b>	PREN (Pitting Resistance Equivalent Number) = 17,00 - 21,26
<b>LOADING CLASS</b>	C250 - EN 1433:2008



Article dimensions mm	Slot size mm	Thickness mm	Weight Kg/each
150 x 500 x H 60	15	2	3,01