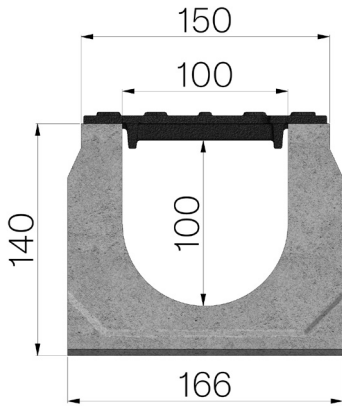


# TECHNICAL SHEET



<b>ASSEMBLED CODE</b>	4F00SGS
<b>DESCRIPTION</b>	Vibro-compressed concrete channel MOD. VIBRO-BASE 100 (H1), H140 mm,c/w 2 x GJS500-7 ductile iron inlay gratings, painted, installed and locked. Channel average runoff section sqcm. 99. Load class C250 according to EN 1433:2008 Norm, if installed following manufacturer instructions.
<b>PRODUCT LINE</b>	Drainage channel type "M"
<b>STANDARD</b>	EN 1433:2008
<b>LOADING CLASS</b>	C250 - EN 1433:2008
<b>INTENDED USE OR USES OF THE PRODUCT</b>	Collection and channelling of surface water into areas subject to pedestrian and/or vehicle traffic according to the indicated flow rate.
<b>DURABILITY</b>	Grades of weathering resistance: W +R (§6.3.3.3 EN 1433:2008)
<b>1) CHANNEL</b>	4F00S
<b>MATERIAL</b>	Vibro-compressed Concrete
<b>SERIES TYPE</b>	Vibrobase series 100
<b>SECTION TYPE</b>	H1
<b>PROFILE TYPE</b>	Without profiles
<b>VERSION TYPE</b>	Normal without built-in slope
<b>WATER FLOW LT / SEC</b>	0,5%=7,1 - 1%=10 - 1,5%=12,3 - 2%=14,2 - 3%=17,4
<b>2) GRID</b>	4F05GS1
<b>GRID TYPE</b>	Ductile-iron Grid
<b>MATERIAL</b>	Ductile-Iron GJS500-7 : EN1563
<b>SURFACE FINISH</b>	Paint coating



Article dimensions mm	Inner width mm	Runoff section cmq	Weight Kg/each
1000 x 166 x H 140	100	99	35,36