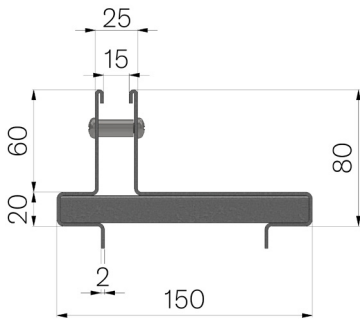


TECHNICAL SHEET



CODE	4F00L
DESCRIPTION	Galvanized steel brickslot cover mod. THIN H60, th. 20/10, with 15 mm side slot, height 60+20 mm, for channel MOD. VIBRO-BASE 100.
MATERIAL	Metal sheet DX51D - EN 10346/EN 10143
LOADING CLASS	C250 - EN 1433:2008



Cover height mm	Slot size mm	Weight Kg/each
60	15	6,3