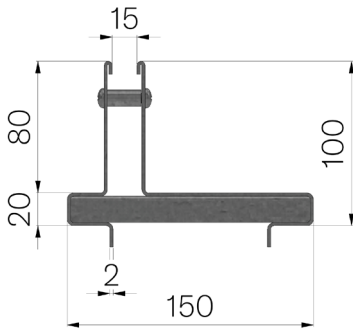


TECHNICAL SHEET



CODE	4F00L1
DESCRIPTION	Galvanized steel brickslot cover mod. THIN H80, th. 20/10, with 15 mm side slot, height 80+20 mm, for channel MOD. VIBRO-BASE 100.
MATERIAL	Metal sheet DX51D - EN 10346/EN 10143
LOADING CLASS	D400 - EN 1433:2008



Article dimensions mm	Cover height mm	Slot size mm	Thickness mm	Weight Kg/each
1000 x 150 x H 80	80	15	2	7