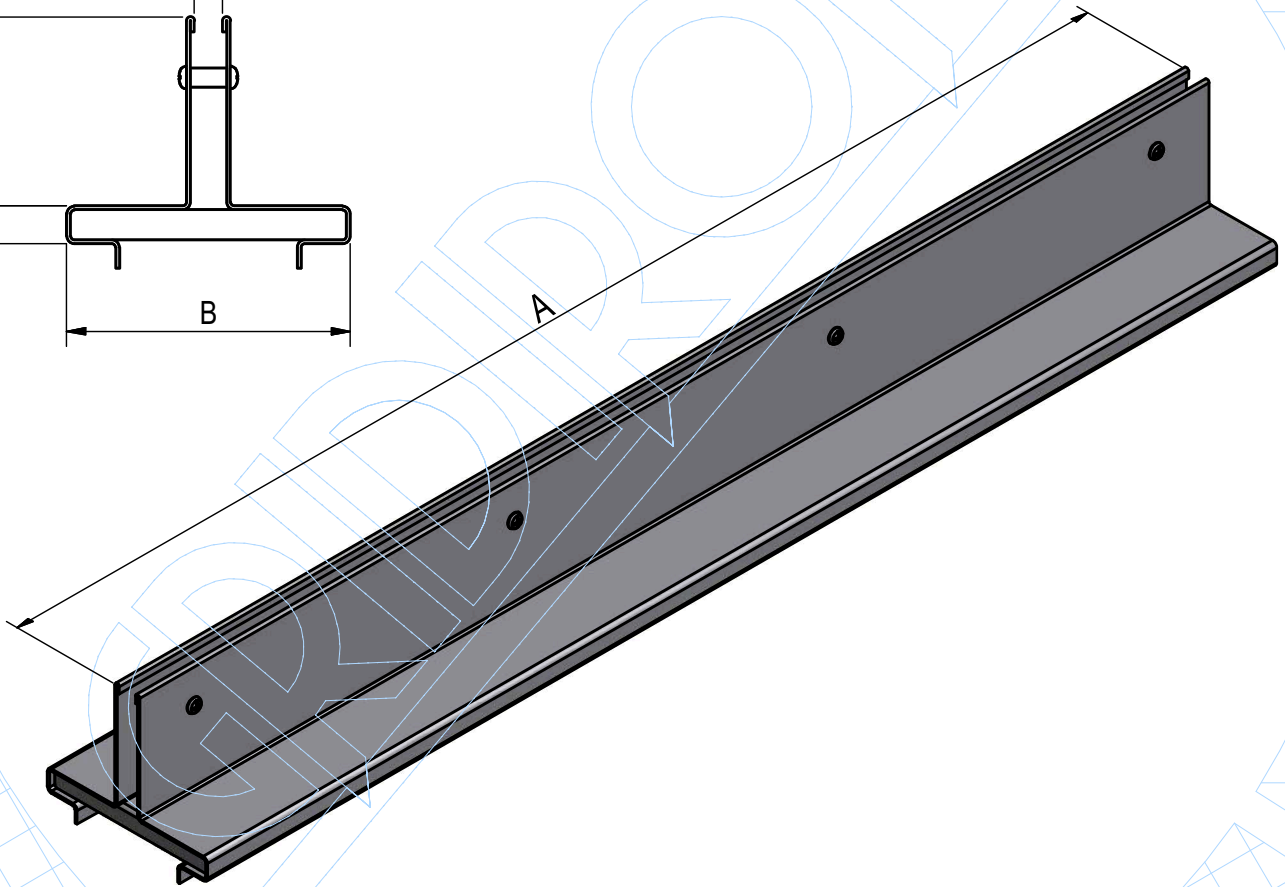
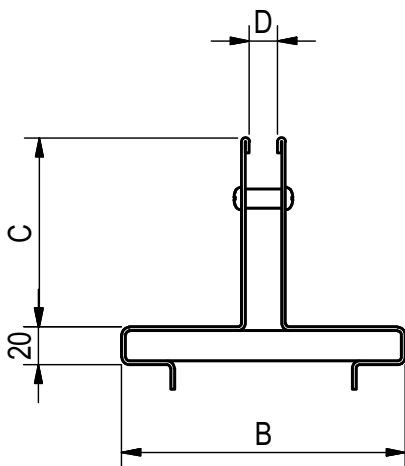


TECHNICAL SHEET



CODE	4F00I2
	AISI 304 stainless steel sheet 20/10 COVER with 15 mm central slot, length 1000 mm, model THIN H=100, suitable for VIBROBASE 100 channels.
TYPE	Brickslot drainage covers
MATERIAL	Stainless Steel BS 304 S 15 - AISI 304
SURFACE FINISH	None
LOADING CLASS	Class D400
NORM	EN 1433:2008



A	B	C	D	E	F
LENGHT MM	WIDTH MM	SLOT HEIGHT MM	SLOT SIZE	THICKNESS COVER MM	WEIGHT KG
1000	150	100	15	2	7,28

All channel's covers, to fit the given loading class, must be correctly installed on site as par our installation instructions.