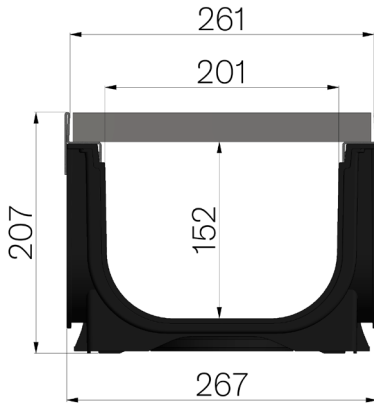


## TECHNICAL SHEET



<b>ASSEMBLED CODE</b>	4D2DSX2
<b>DESCRIPTION</b>	ABS channel MOD. PLASTIC FLY 200 LOW, with AISI 304 stainless steel protective edge rails, c/w AISI 304 stainless steel pressure-locked grating, 25x2-10x2, 55x11 heelguard mesh, installed and locked, pickled. Channel average runoff section cm <sup>2</sup> 283. Load class C250 according to EN 1433:2008 Norm, if installed following manufacturer instructions.
<b>PRODUCT LINE</b>	Drainage channel type "M"
<b>LOADING CLASS</b>	C250 - EN 1433:2008
<b>QUANTITY PER PACK</b>	32
<b>1) CHANNEL</b>	4D2DS
<b>MATERIAL</b>	ABS
<b>SERIES TYPE</b>	Plasticfly series 200
<b>SECTION TYPE</b>	Low
<b>PROFILE TYPE</b>	Stainless Steel Profiles
<b>VERSION TYPE</b>	Normal without built-in slope
<b>WATER FLOW LT / SEC</b>	0,5%=31,3 - 1%=44,3 - 1,5%=54,2 - 2%=62,6 - 3%=76
<b>2) GRID</b>	4D23X2
<b>GRID TYPE</b>	Press-locked
<b>MATERIAL</b>	Inox AISI 304 - X5 CrNi 18 10
<b>SURFACE FINISH</b>	Pickled



Article dimensions mm	Inner width mm	Runoff section cmq	Weight Kg/each
1000 x 267 x H 207	201	283	12,43