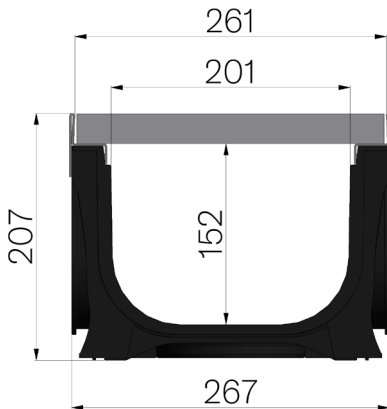


TECHNICAL SHEET



ASSEMBLED CODE	4D2DSX1
DESCRIPTION	ABS channel MOD. PLASTIC FLY 200 LOW, with AISI 304 stainless steel protective edge rails, c/w AISI 304 stainless steel pressure-locked grating, 25x2-10x2, 33x33 mesh, installed and locked, pickled. Channel average runoff section cm ² 283. Load class C250 according to EN 1433:2008 Norm, if installed following manufacturer instructions.
PRODUCT LINE	Drainage channel type "M"
STANDARD	EN 1433:2008
LOADING CLASS	C250 - EN 1433:2008
INTENDED USE OR USES OF THE PRODUCT	Collection and channelling of surface water into areas subject to pedestrian and/or vehicle traffic according to the indicated flow rate.
DURABILITY	NPD
QUANTITY PER PACK	32
1) CHANNEL	4D2DS
MATERIAL	ABS
SERIES TYPE	Plasticfly series 200
SECTION TYPE	Low
PROFILE TYPE	Stainless Steel Profiles
VERSION TYPE	Normal without built-in slope
WATER FLOW LT / SEC	0,5%=31,3 - 1%=44,3 - 1,5%=54,2 - 2%=62,6 - 3%=76
2) GRID	4D23X1
GRID TYPE	Press-locked
MATERIAL	Inox AISI 304 - X5 CrNi 18 10
SURFACE FINISH	Pickled



Article dimensions mm	Inner width mm	Runoff section cmq	Weight Kg/each
1000 x 267 x H 207	201	283	11,63