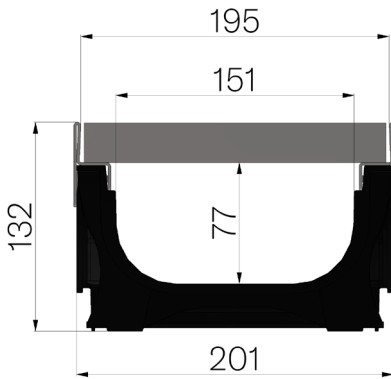


TECHNICAL SHEET



ASSEMBLED CODE	4D1DSPI
DESCRIPTION	ABS channel MOD. PLASTIC FLY 150 LOW, with AISI 304 stainless steel protective edge rails, c/w AISI 304 stainless steel embossed metal sheet plate Th. 30/10, reinforced, installed and locked, polished. Channel average runoff section cm ² 106. Load class D400 according to EN 1433:2008 Norm, if installed following manufacturer instructions.
PRODUCT LINE	Drainage channel type "M"
STANDARD	EN 1433:2008
LOADING CLASS	D400 - EN 1433:2008
DURABILITY	NPD
QUANTITY PER PACK	55
1) CHANNEL	4D1DS
MATERIAL	ABS
SERIES TYPE	Plasticfly series 150
SECTION TYPE	Low
PROFILE TYPE	Stainless Steel Profiles
VERSION TYPE	Normal without built-in slope
WATER FLOW LT / SEC	0,5%=8,7 - 1%=12,3 - 1,5%=15,0 - 2%=17,4 - 3%=21,3
2) METAL SHEET PLATE	4D11PI
TYPE OF METAL PLATE	Metal sheet plates for channels
MATERIAL	Inox AISI 304 - X5 CrNi 18 10
UPPER SHEET METAL	Embossed metal sheet plate 30/10



Article dimensions mm	Inner width mm	Runoff section cmq	Weight Kg/each
1000 x 201 x H 132	151	106	21,36