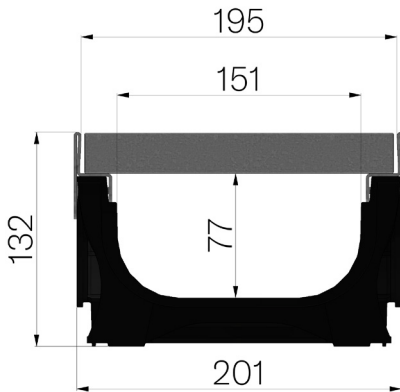


TECHNICAL SHEET



ASSEMBLED CODE	4D1CSG3
DESCRIPTION	ABS channel MOD. PLASTIC FLY 150 LOW, with galvanised protective edge rails, c/w S235JR pressure-locked grating, 25x2-10x2, 33x11 heelguard mesh, installed and locked, hot-dip galvanised. Channel average runoff section cm ² 106. Load class C250 according to EN 1433:2008 Norm, if installed following manufacturer instructions.
PRODUCT LINE	Drainage channel type "M"
STANDARD	EN 1433:2008
LOADING CLASS	C250 - EN 1433:2008
INTENDED USE OR USES OF THE PRODUCT	Collection and channelling of surface water into areas subject to pedestrian and/or vehicle traffic according to the indicated flow rate.
DURABILITY	NPD
QUANTITY PER PACK	55
1) CHANNEL	4D1CS
MATERIAL	ABS
SERIES TYPE	Plasticfly series 150
SECTION TYPE	Low
PROFILE TYPE	Galvanized edge
VERSION TYPE	Normal without built-in slope
WATER FLOW LT / SEC	0,5%=8,7 - 1%=12,3 - 1,5%=15,0 - 2%=17,4 - 3%=21,3
2) GRID	4D12G3
GRID TYPE	Press-locked
MATERIAL	Carbon Steel S235JR acc. to EN 10025-2:2019
SURFACE FINISH	Hot Dip Galvanizing - UNI 1461



Article dimensions mm	Inner width mm	Runoff section cmq	Weight Kg/each
1000 x 201 x H 132	151	106	10,11