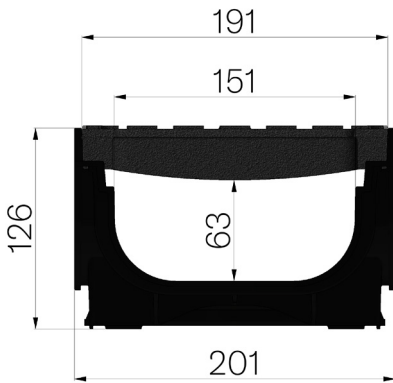


## TECHNICAL SHEET



<b>ASSEMBLED CODE</b>	4D1BSGS
<b>DESCRIPTION</b>	ABS channel MOD. PLASTIC FLY 150 LOW, with ABS protective edge rails, c/w 2 x GJS500-7 ductile iron gratings, installed and locked, painted. Channel average runoff section cm <sup>2</sup> 106. Load class C250 according to EN 1433:2008 Norm, if installed following manufacturer instructions.
<b>PRODUCT LINE</b>	Drainage channel type "M"
<b>STANDARD</b>	EN 1433:2008
<b>LOADING CLASS</b>	C250 - EN 1433:2008
<b>INTENDED USE OR USES OF THE PRODUCT</b>	Collection and channelling of surface water into areas subject to pedestrian and/or vehicle traffic according to the indicated flow rate.
<b>DURABILITY</b>	NPD
<b>QUANTITY PER PACK</b>	55
<b>1) CHANNEL</b>	4D1BS
<b>MATERIAL</b>	ABS
<b>SERIES TYPE</b>	Plasticfly series 150
<b>SECTION TYPE</b>	Low
<b>PROFILE TYPE</b>	Without profiles
<b>VERSION TYPE</b>	Normal without built-in slope
<b>2) GRID</b>	4D12GS1
<b>GRID TYPE</b>	Ductile-iron Grid
<b>MATERIAL</b>	Ductile-Iron GJS500-7 : EN1563
<b>SURFACE FINISH</b>	Paint coating



Article dimensions mm	Inner width mm	Runoff section cmq	Weight Kg/each
1000 x 201 x H 126	151	106	17,83