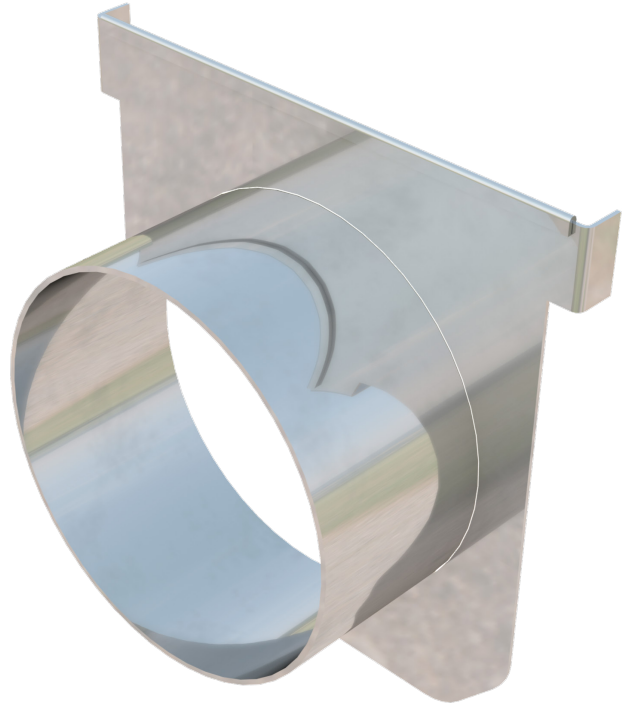
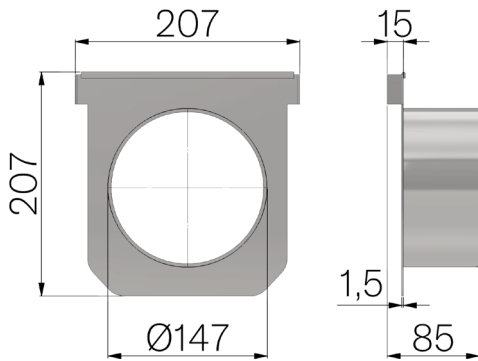


TECHNICAL SHEET



CODE	4D11RI
DESCRIPTION	AISI 304 stainless steel end cap with outlet Ø 147 mm, th. 15/10, for channel MOD. PLASTIC FLY 150 with protective edge rails.
MATERIAL	Inox AISI 304 - X5 CrNi 18 10



Article dimensions mm	Thickness mm	Bottom outlet mm	Weight Kg/each
85 x 207 x H 207	1,5	147	1,93