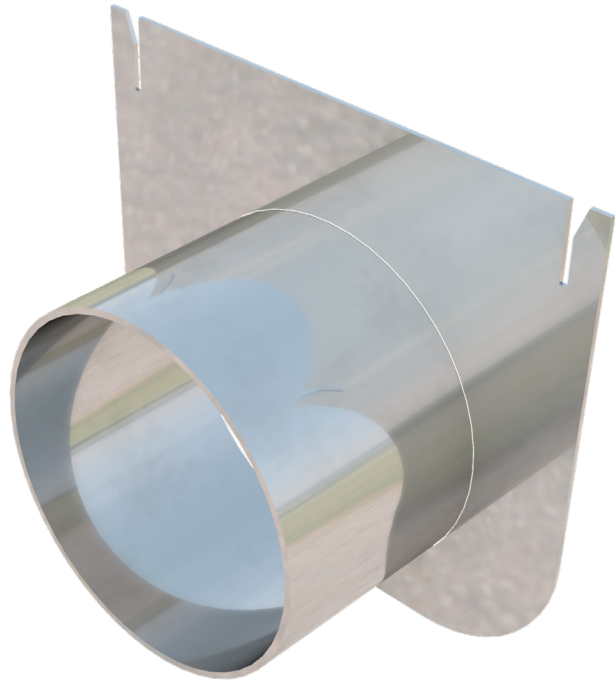
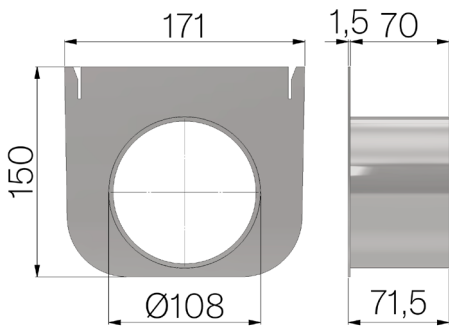


TECHNICAL SHEET



CODE	4D10RI
DESCRIPTION	AISI 304 stainless steel end cap with outlet Ø108 mm, th. 15/10, for channel MOD. PLASTIC FLY 150 without protective edge rails.
MATERIAL	Inox AISI 304 - X5 CrNi 18 10



Article dimensions mm	Thickness mm	Bottom outlet mm	Weight Kg/each
71,5 x 171 x H150	1,5	108	1,85